

**Play value**

If the respective shape and alloy is used for metal pipes to create the perfect sound then they are called Tubular Chimes. They have been specially tuned for optimal sound with 1 major and 1 minor note around a common central note. Tubular Chimes are, like other orchestral instruments, tuned precisely. No other instrument can produce such a fine and lasting sound.

**Recommended for**

- Kindergarten children
- School children
- Young people
- Adults
- Older people
- Public play areas without supervision, such as playgrounds, parks or similar

**Barrier-free**

- Independent play



Photo © imagIN visual promotions



**Tubular Chimes**

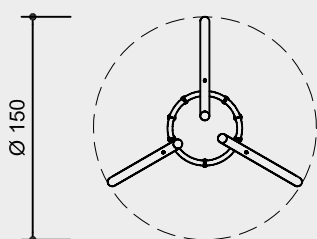
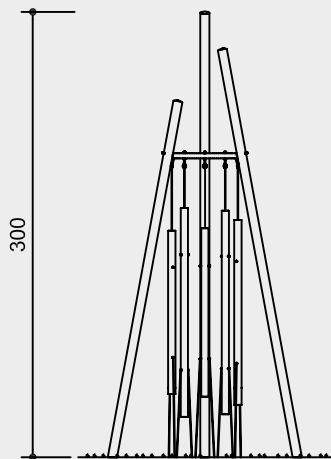
Acoustic effect	medium to strong
Vandalism	slightly vulnerable
Supervision	not necessary
Explanation Board	not necessary
Installation	indoors and outdoors
Safety check (DIN EN 1176)	not necessary
Installation in concrete	possible



10.52400

**Order No. 10.52400**  
**Tubular Chimes**

Safety distance   
 Device dimensions   
 Functional distance 



Scale 1:50

**Technical information**

Supporting tubes, ring, foot plates and base plate made of stainless steel

**Ground anchor**

All parts used for anchoring to the ground are made of hot-dip galvanised steel or stainless steel



**For more detailed explanation of the quality characteristics see price list.**

Tuned brass sound tubes

Tensioning cable made of stainless steel

Beater made of plastic, suspension made of stainless steel cable

**Dimensions**

(small deviations possible)

Height	3.00 m
Diameter	1.50 m
Sound tubes diameter	48 x 4 mm
Weight	90 kg

**Components**

- 3 Supporting tubes on foot plates for dowelling
- 1 Ring with 5 sound tubes and tensioning cables on base plate, each to be screwed in, with 14 heavy duty anchors
- 2 Beaters

**Trademark**

30 2005 500 000 Germany  
 40-0682207 South Korea

Explanation board on request

**Installation information**

Recommended space  
 Circle diameter 3.00 m

Foundations  
 1 item triangular,  
 Length of the edge 175 cm,  
 20 cm high,  
 Excavation depth 30 cm

**Attention:**  
**Exact measurements may vary;**  
**for all installation dimensions refer to current assembly instructions.**

Technical changes reserved.



**10.52400**