

**Play value**

These stylised tree shapes with their different sound leaves, sound branches and drums are particularly suited to parks and atmospheric gardens. Exciting music can be experienced when played together. The sounds range from the melancholic sound of the Steeldrum to the cheerful one of the Sound Leaf. These robust objects can be played by hand or with the attached hammers.

**Sound Leaf**

The individual sound plates have a tone like the clang of a cymbal. The stylised leaves are attached to the tree in a way that they can move freely. They produce a very cheerful and lively sound.

**Sound Tree**

The sound bars are like powerful chimes and represent branches. They are also used to make xylophones.

**Steeldrum**

The melodic, sometimes also melancholic sound of the Steeldrum fascinates people. It symbolises the wooden drums that are made from hollowed tree trunks in many different cultures. The Steeldrum was first made from old oil barrels after the Second World War by people from the Caribbean. Skilful hammering creates individual areas in the base each having their own different tone.

**Recommended for**

- School children
- Young people
- Adults
- Older people
- Public play areas without supervision, such as playgrounds, parks or similar



Order No. 10.54100 Sound Tree



Order No. 10.54000 Sound Leaf

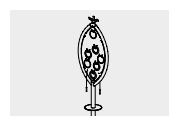


Order No. 10.54200 Steeldrum

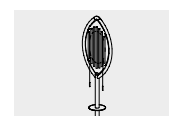


Acoustic effect	medium
Vandalism	not vulnerable
Supervision	not necessary
Explanation Board	not necessary
Installation	outdoors
Safety check (DIN EN 1176)	not necessary
Installation in concrete	not possible

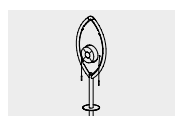
**Sound Leaf  
Sound Tree  
Steeldrum**



10.54000



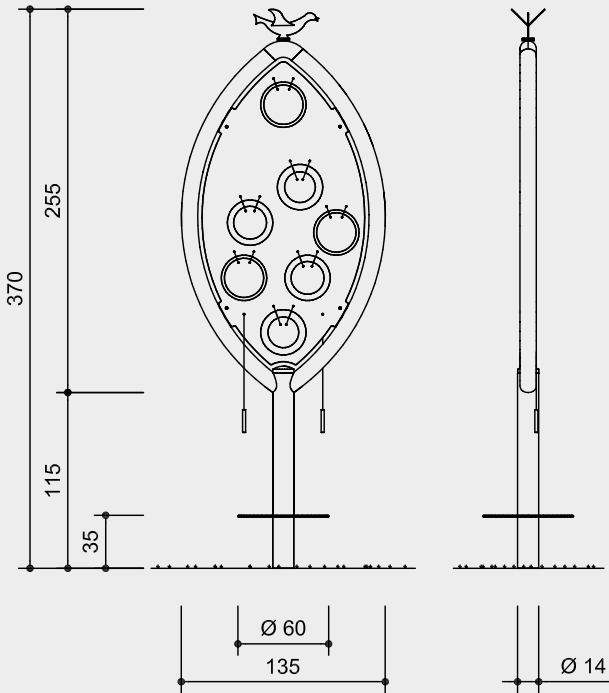
10.54100



10.54200

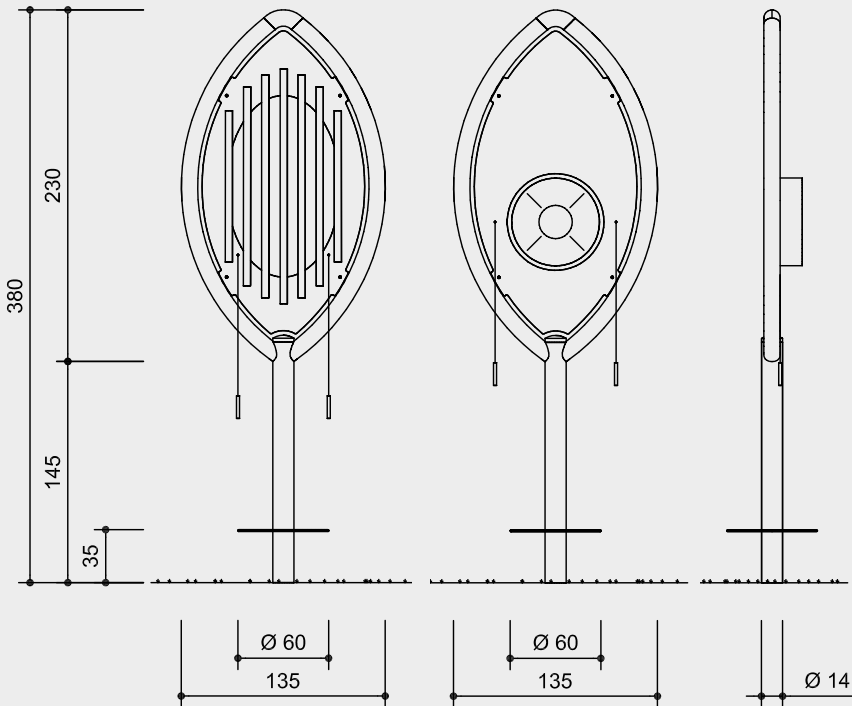
**Order No. 10.54000**  
**Sound Leaf**

Safety distance →  
Device dimensions ●—  
Functional distance —|



**Order No. 10.54100**  
**Sound Tree**

**Order No. 10.54200**  
**Steeldrum**



Scale 1:50

**Technical information**

Equipment made of stainless steel;  
in stylized tree shape

**Ground anchor**

All parts used for anchoring to the  
ground are made of hot-dip galvanised  
steel or stainless steel



**For more detailed explanation of the  
quality characteristics see price list.**

**Order No. 10.54000**  
**Sound Leaf**

Sound plates made of brass  
Beater made of PE

**Order No. 10.54100**  
**Sound Tree**

Tubes made of brass  
Beater made of PE

**Order No. 10.54200**  
**Steeldrum**

Meditation pan, powder-coated  
Beater made of PE

**Dimensions**

(small deviations possible)

**Order No. 10.54000**  
**Sound Leaf**

Height	3.70 m
Headroom	0.35 m
Width	1.35 m
Weight	180 kg

**Order No. 10.54100**  
**Sound Tree**

**Order No. 10.54200**  
**Steeldrum**

Height	3.80 m
Headroom	0.35 m
Width	1.35 m
Weight	180 kg

**Components**

- 1 Complete piece of equipment  
with Foundation frame

**Trademark**

30 2005 500 000 Germany  
40-0682207 South Korea

Explanation board on request

**Installation information**

Recommended space  
Circle diameter 3.00 m

Foundation  
1 item 130 x 130 x 70 cm  
reinforced  
Blinding layer  
130 x 130 x 5 cm  
Total excavation depth 115 cm

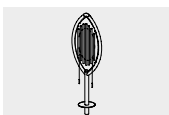
**Attention:**

**Exact measurements may vary;  
for all installation dimensions refer  
to current assembly instructions.**

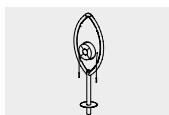
Technical changes reserved.



**10.54000**



**10.54100**



**10.54200**