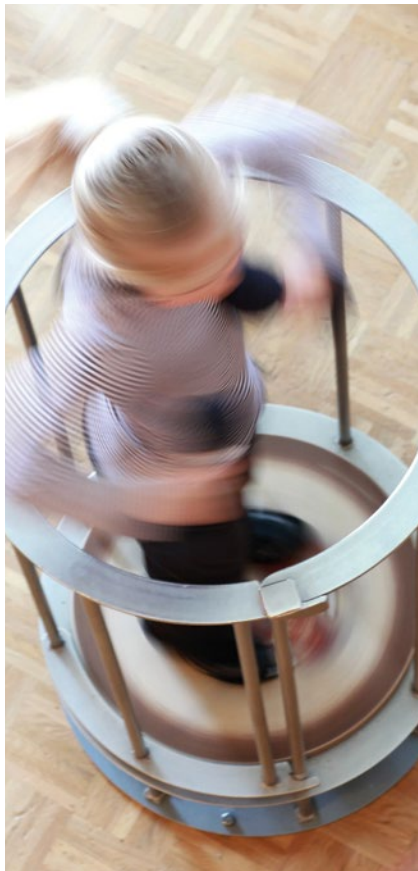


**Play value**

The turning motion allows you to experience the space you move in as a space full of invisible forces acting on your body. Our bodies are subject to the laws of gravity and with their help we can stand upright on the vertical axis. This provides us with an insight into the significance of an upright posture. If you slouch you are only able to rotate very slowly around your own axis. Also the ability to avoid vertigo can be learnt on this rotating disc. Either you fix your gaze on a certain point in the surrounding landscape and quickly catch a glimpse of it at every turn, or you concentrate entirely on your environment and become as one with it thereby keeping your orientation directed outwards.

**Recommended for**

- Kindergarten children
- School children
- Young people
- Supervised play areas, such as kindergartens, schools, after-school programmes or similar
- Public play areas without supervision, such as playgrounds, parks or similar
- Swimming pools without supervision, such as outdoor pools, adventure pools or similar



**Pirouette**

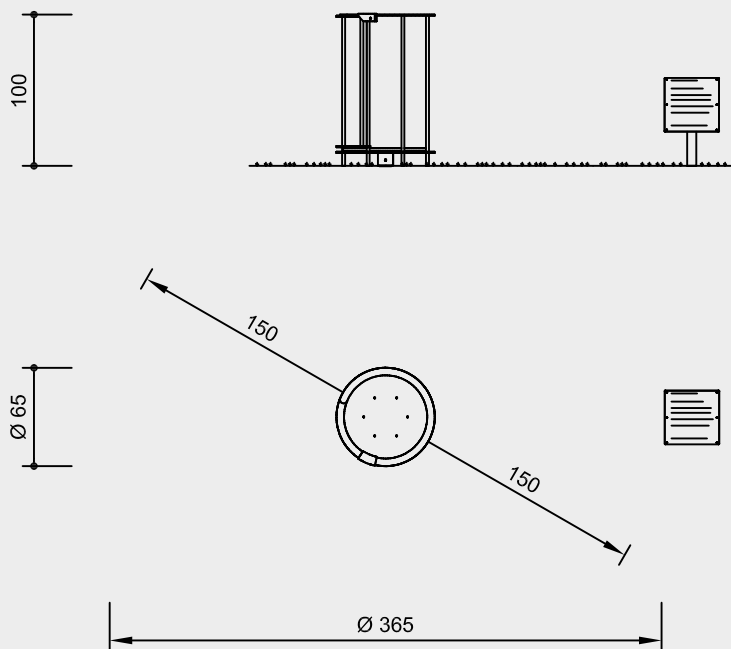
Vandalism	not vulnerable
Supervision	not necessary
Explanation Board	included
Installation	indoors and outdoors
Safety check (DIN EN 1176)	has been completed
Installation in concrete	possible



10.91000

**Order No. 10.91000**  
**Pirouette**

Safety distance   
 Device dimensions   
 Functional distance 



Scale 1:100

Safety check according to DIN EN 1176

**Components**

- 1 Explanation Board with support for dowelling and 4 heavy duty anchors

**Trademark**

30 2005 500 000 Germany  
 40-0682207 South Korea

**Installation information**

Surfacing requirements corresponding to a fall height of  $\leq 0.60$  m (please refer to price list for more detailed information)

**Foundations**

1 item 80 x 80 x 40 cm  
 Excavation depth 60 cm

**Explanation Board**

1 item 40 x 40 x 40 cm  
 Excavation depth 60 cm

**Attention:**

**Exact measurements may vary; for all installation dimensions refer to current assembly instructions.**

Technical changes reserved.

**Technical information**

Ground plate made of steel

**Ground anchor**

All parts used for anchoring to the ground are made of hot-dip galvanised steel or stainless steel



**Roller bearings**

High-quality roller bearings made of chrome steel or stainless steel for rotating elements, easy to maintain and exchange, sealed



**For more detailed explanation of the quality characteristics see price list.**

Non-slip foot plate

Rotating plate on maintenance free, free-moving and dirt-protected double ball bearing

Fall protection through railing and door made of stainless steel

Entry door with safe locking mechanism

Support for Explanation Board made of stainless steel

**Dimensions**

(small deviations possible)

Height	1.00 m
Diameter	0.65 m
Turning disc diameter	0.55 m
Weight	90 kg



**10.91000**