

Play value

The stone block allows you to experience the effect of mass and gravity, time, rhythm and weightlessness on your own body. You sit on the stone block and swing lightly with your eyes shut. Your own movements appear to be unusually slowed down. A hint of weightlessness can be perceived. Or try to make the stone begin to swing merely with a thread placed around the cable.



© Richter Spielgeräte GmbH 06/24

Stone Pendulum

Recommended for

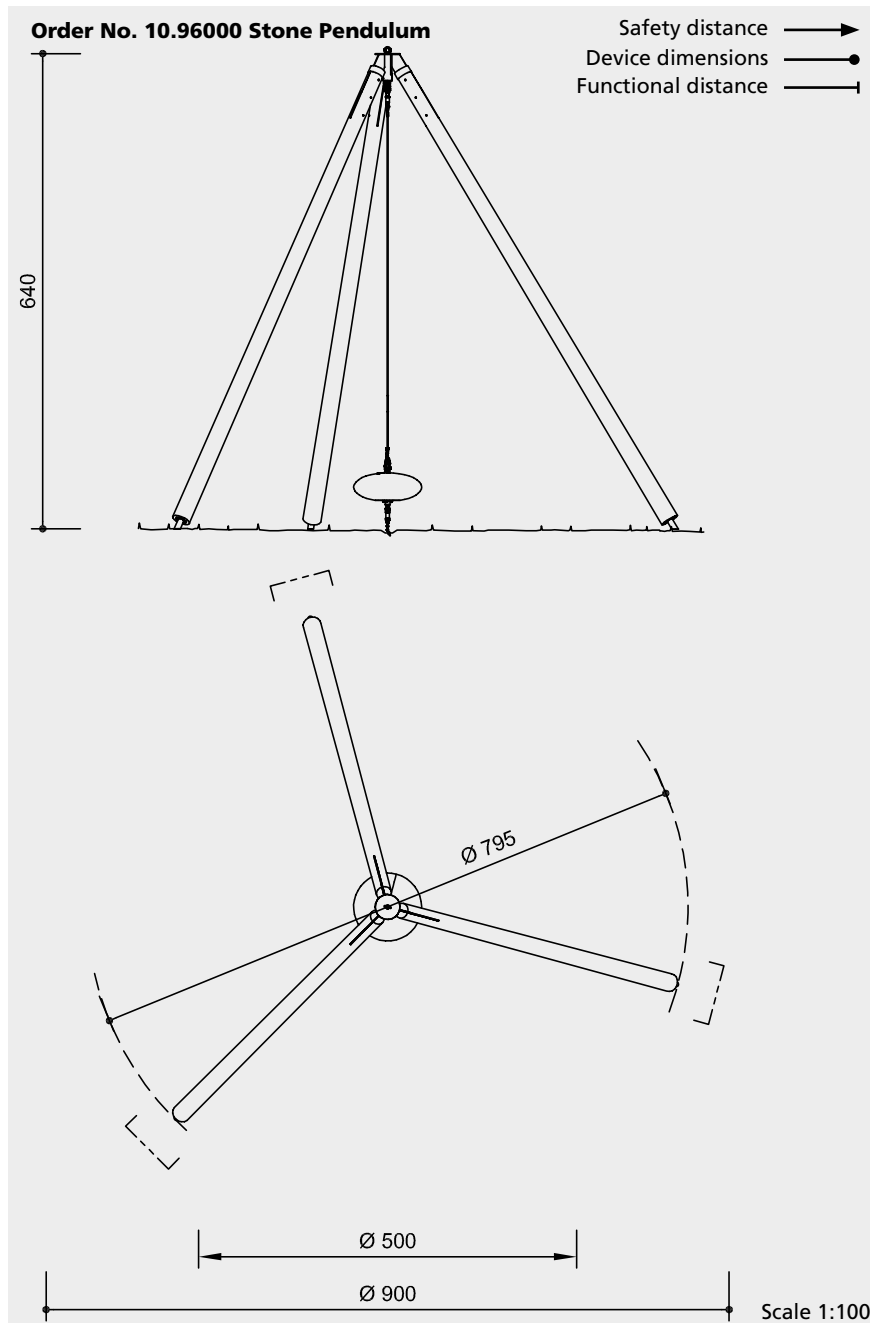
- School children
- Young people
- Adults
- Supervised play areas, such as schools, after-school programmes or similar
- Public play areas without supervision, such as playgrounds, parks or similar

Vandalism	not vulnerable
Supervision	recommended (with deflection limiting chain)
Explanation Board	absolutely necessary (without deflection limiting chain)
Installation	recommended
Safety check (DIN EN 1176)	outdoors
Installation in concrete	has been completed
	not possible



10.96000

Design W. Graubner based on H. Kükelhaus



Safety check according to DIN EN 1176

Components

- 1 Complete piece of equipment with stone and cable
- 1 Chain with limited swing range
- 1 Short chain with padlock

Trademark

30 2005 500 000 Germany
 40-0682207 South Korea

Explanation board on request

Installation information

Surfacing requirements corresponding to a fall height of ≤ 1.00 m (please refer to price list for more detailed information)

Foundations
 4 items 80 x 80 x 80 cm reinforced
 Blinding layer
 80 x 80 x 5 cm
 Total excavation depth 105 cm

Attention:
Exact measurements may vary;
for all installation dimensions refer to current assembly instructions.
 Technical changes reserved.

Technical information

Supports made of mountain larch with galvanised steel feet

Ground anchor

All parts used for anchoring to the ground are made of hot-dip galvanised steel or stainless steel



Chains

Chains made of hot-dip galvanized steel (1.4301 / 1.4571 at extra charge) welded before galvanising, short-linked, without eyelets on the connecting parts, easy to exchange and shorten



For more detailed explanation of the quality characteristics see price list.

Rotating bearing with ball bearings, high-tensile stainless steel cable

Central limited swing range with chain and stainless steel swivel, alternatively short chain with padlock that can be removed by a supervisor

Double secured suspension at pendulum joint and the suspension of the stone for the boulder

Dimensions

(small deviations possible)

Frame
 Height 6.40 m
 Diameter Ø 7.95 m
 Space Ø 9.00 m
 Weight 900 kg

Stone
 Diameter 0.40 - 0.80 m
 Weight 150 - 350 kg



10.96000