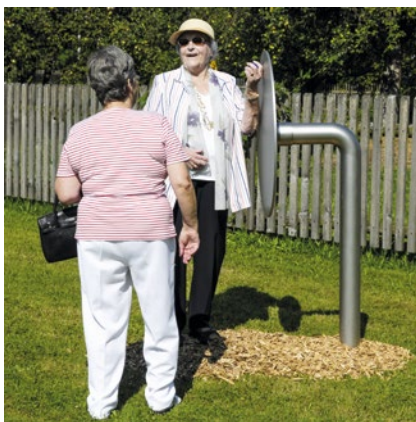


Play value

The Turning Plate is a piece of equipment which stimulates the horizontal mobility of the shoulders and elbows. This exercise can be beneficial for those people who have lost mobility and who lack stability and strength in their motion sequences.

Recommended for

- Adults
- Older people
- Public play areas without supervision, such as playgrounds, parks or similar



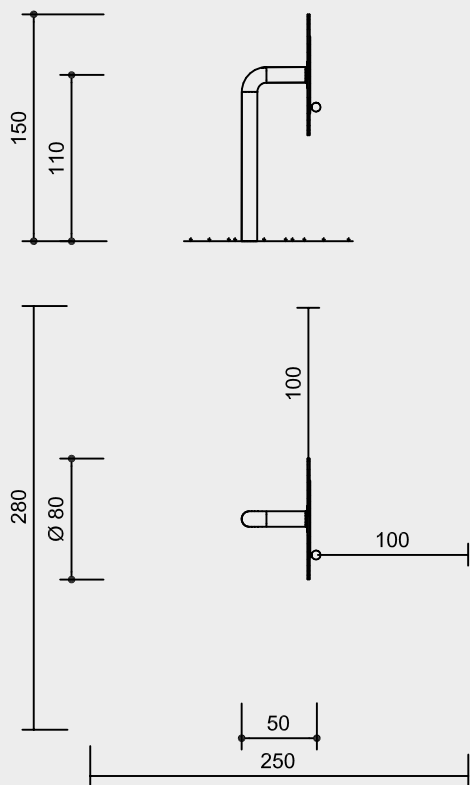
Turning Plate



11.02300

Order No. 11.02300
Turning Plate

Safety distance 
 Device dimensions 
 Functional distance 



Scale 1:50

Technical information

Equipment made of stainless steel

Ground anchor

All parts used for anchoring to the ground are made of hot-dip galvanised steel or stainless steel



For more detailed explanation of the quality characteristics see price list.

Tube diameter 104 mm

Thickness of disc 12 mm, made of natural anodised aluminium, mounted in sleeve bearings made of plastic

Ball handle made of polyoxymethylene (POM-C), standard colour blue

Dimensions

(small deviations possible)

Height	1.50 m
Length	0.50 m
Width diameter	0.80 m
Weight	30 kg

Safety

This equipment is not playground equipment within the scope of DIN EN 1176 and therefore is also not subject to the requirements of this standard. Nevertheless, it is complied with where appropriate.

Components

- 1 Turning Plate for dowelling

Installation information

Surfacing requirements
 no requirements

Foundations
 1 item 50 x 50 x 40 cm
 Excavation 60 cm

Attention:
Exact measurements may vary;
for all installation dimensions refer
to current assembly instructions.
 Technical changes reserved.



11.02300