

Skills

Level 2: The AMPHIBIAN in us – being shy means being able to protect yourself. This is the way we strengthen our passion for discovery and our ability to protect ourselves. Exploring the world from a place of emotional security.

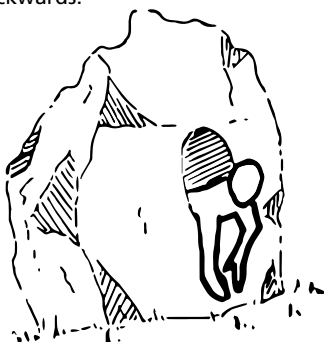
Retreat and curiosity promote a passion for discovery. You will be able to identify the difference between internal/external and new/far. You will improve your confidence to explore.



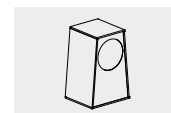
How to perform the exercise

Lie face down with your arms stretched out in front of you and pull yourself through the opening. Slipping through activates the sense of curiosity. What's happening out there?

Discover the other side and experience the interplay of curiosity and retreat at the same time. Use your arms to pull yourself forwards or to push yourself backwards.



EVOPED® Indoor Slither Box
EVOPED® Outdoor Slither Stone

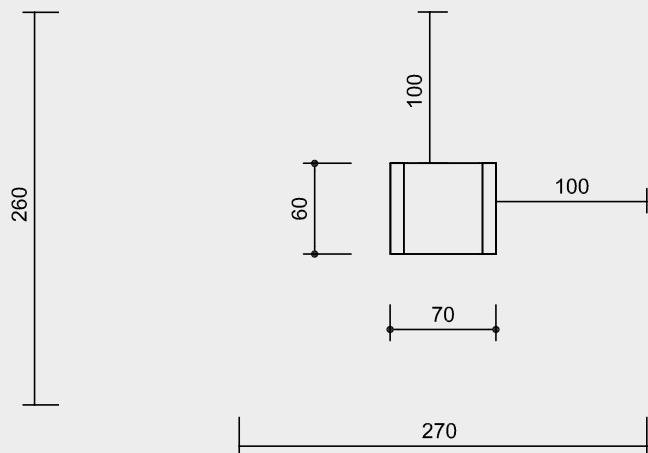
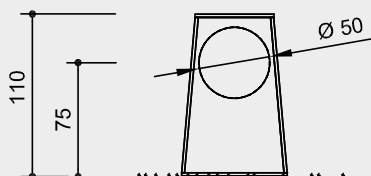


12.00200

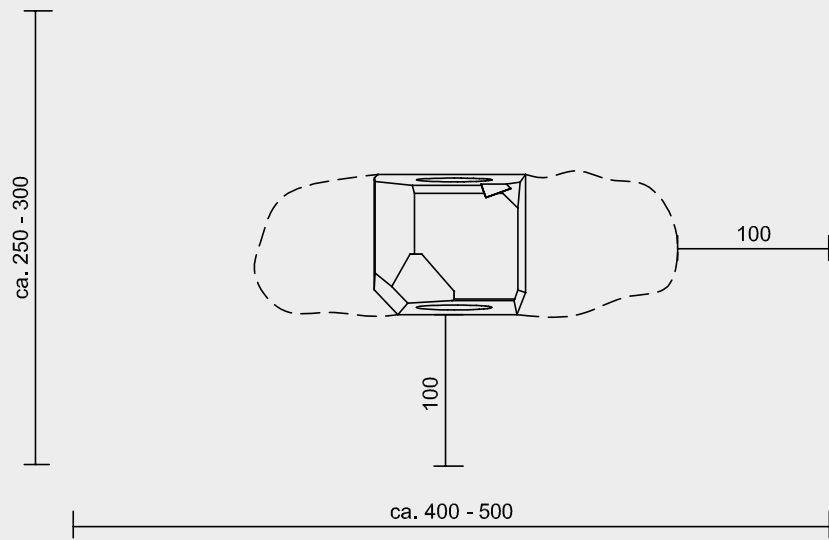


12.00210

Order No. 12.00200 EVOPEd® Indoor Slither Box



Order No. 12.00210 EVOPEd® Outdoor Slither Stone



Scale 1:50

Technical information

Order No. 12.00200 EVOPEd® Indoor Slither Box

Equipment made of birch plywood
21 mm, waterproof glue laminated

Drainpipe diameter 500 mm,
wall thickness 12 mm

Order No. 12.00210 EVOPEd® Outdoor Slither Stone

Equipment made of limestone,
Hole diameter 500 mm

By nature, both the shape and the size of the stone is very different. Likewise, the surface is uneven and may have rips

Dimensions

(small deviations possible)

Order No. 12.00200 EVOPEd® Indoor Slither Box

Height	1.10 m
Length	0.70 m
Width	0.60 m
Weight	50 kg

Order No. 12.00210 EVOPEd® Outdoor Slither Stone

Height	variable
Length	variable
Width	variable
Weight	2000 - 3000 kg

Safety

This equipment is not playground equipment within the scope of DIN EN 1176 and therefore is also not subject to the requirements of this standard. However, it is complied with where appropriate.

Attention:

Exact measurements may vary; for all installation dimensions refer to current assembly instructions.

Technical changes reserved.

Note:

The **EVOPEd® Indoor Slither Box** play equipment is only suitable for use in indoor areas.

The **EVOPEd® Outdoor Slither Stone** play equipment is only suitable for use in outdoor areas.

Components

Order No. 12.00200

1 EVOPEd® Indoor Slither Box

Order No. 12.00210

1 EVOPEd® Outdoor Slither Stone

Installation information

Order No. 12.00200

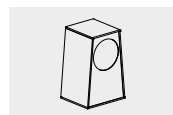
EVOPEd® Indoor Slither Box

Recommended space including operational space 270 x 260 cm
no foundations required
surfacing firm and level

Order No. 12.00210

EVOPEd® Outdoor Slither Stone

Recommended space including operational space 300 x 400 (500) cm
1 item concrete foundation
Dimensions depending on the size and shape of the stone
Concrete quantity approx. 0.3 to 0.5 m³
excavation depth approx. 10 to 15 cm



12.00200



12.00210