

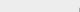
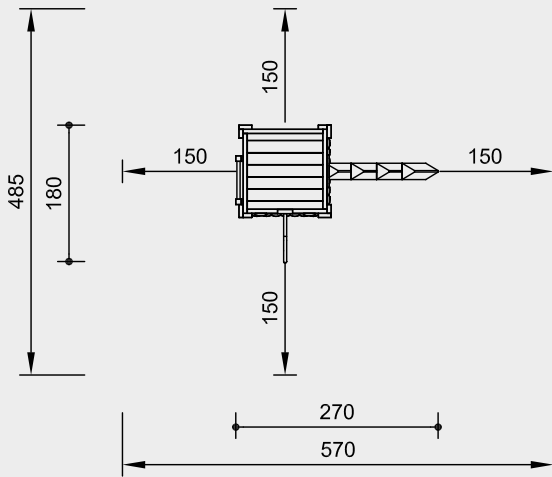
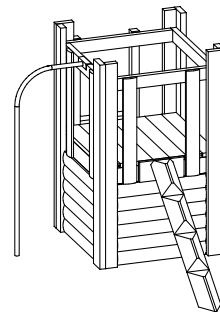


Order No. 2.12101
Hut combination 210
 with fittings

Safety distance 
 Device dimensions 
 Functional distance 



Order No. 2.12101
Hut combination 210
 with fittings



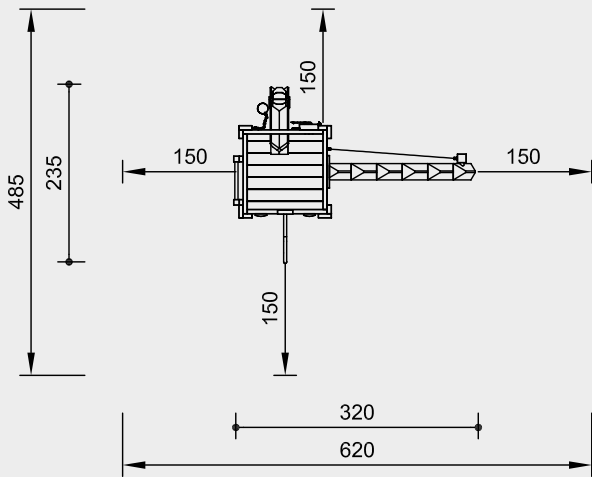
Components

- 1 Small Platform Hut with steel feet, 2 walls, 2 benches and 1 table
- 1 Climbing Trunk with steel foot
- 1 Firemen's Pole made of stainless steel

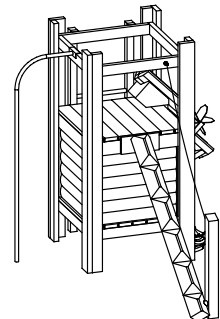
Order No.

- 3.14150**
- 3.69506**
- 3.69480**

Order No. 2.12111
Hut combination 211



Order No. 2.12111
Hut combination 211



Components

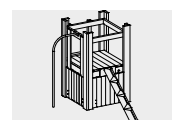
- 1 Platform Hut with steel feet
- 1 Climbing Trunk with steel foot
- 1 Firemen's Pole made of stainless steel
- 1 Sand Play Equipment

Order No.

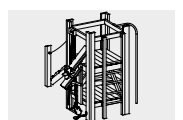
- 3.13100**
- 3.69516**
- 3.69480**
- 3.19100**

Scale 1:100

Safety check according to DIN EN 1176

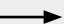
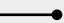



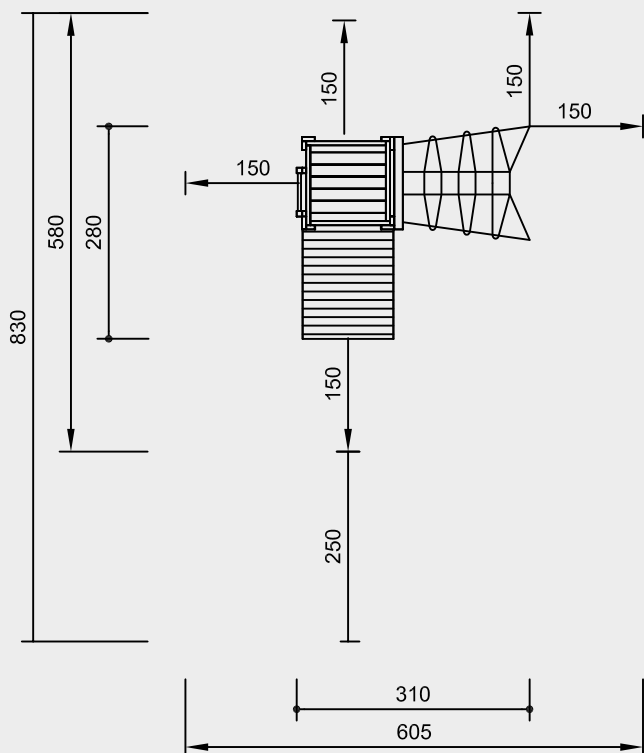
2.12101



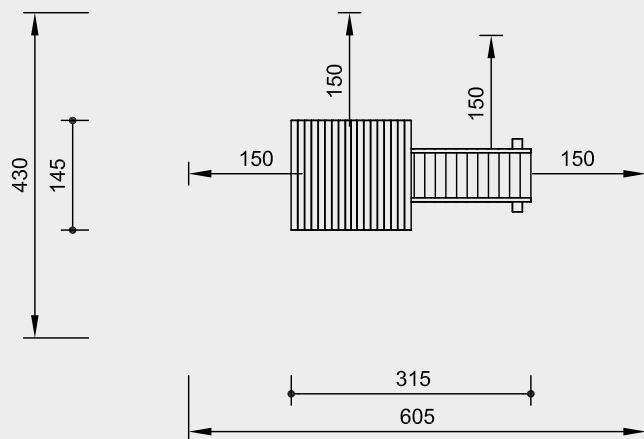
2.12111

Order No. 2.12120
Hut combination 212

Safety distance 
Device dimensions 
Functional distance 



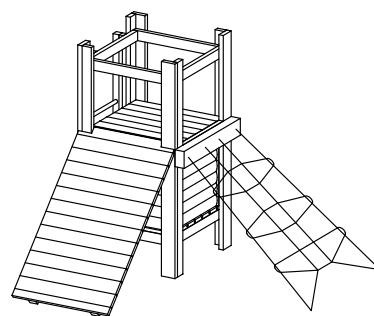
Order No. 2.12131
Hut combination 213
with fittings



Scale 1:100

Safety check according to DIN EN 1176

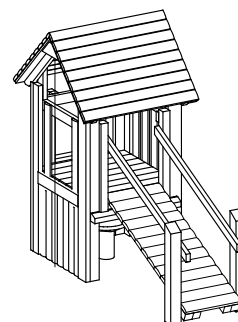
Order No. 2.12120
Hut combination 212



Components

	Order No.
1 Platform Hut with steel feet	3.13100
1 Inclined Climbing Net	3.69120
1 Inclined Wall with steel feet	3.67531

Order No. 2.12131
Hut combination 213
with fittings



Components

	Order No.
1 Small Platform Hut with roof with steel feet, 2 walls, 2 benches and 1 table	3.14350
1 Fall protection	3.13161
1 Climbing Rope	3.69433
1 Bridge 2.00 m	3.66425
1 Support Frame for Bridge	3.66364
1 End Frame for ramps with steel feet	3.66416



2.12120



2.12131