

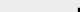
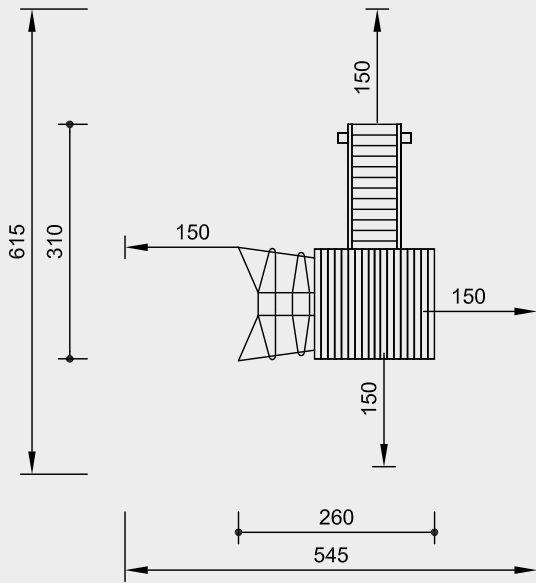
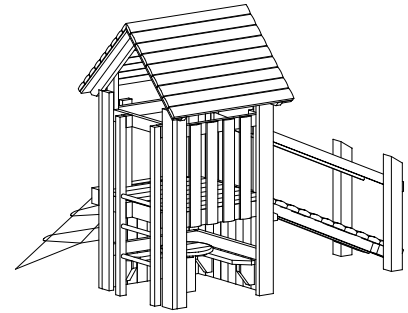


Order No. 2.12141
Hut combination 214

Safety distance 
 Device dimensions 
 Functional distance 



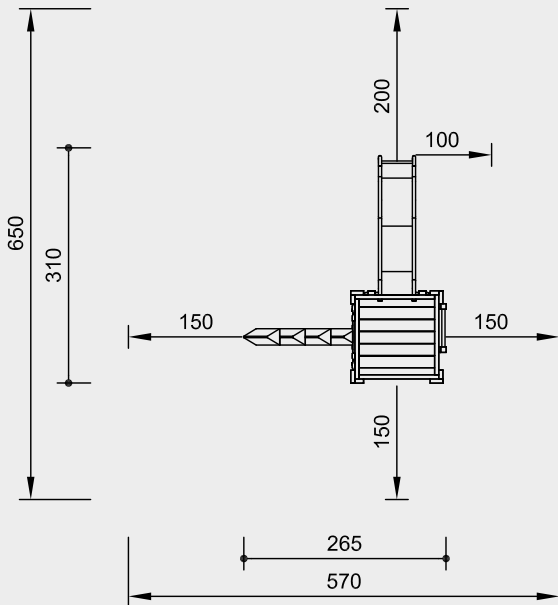
Order No. 2.12141
Hut combination 214



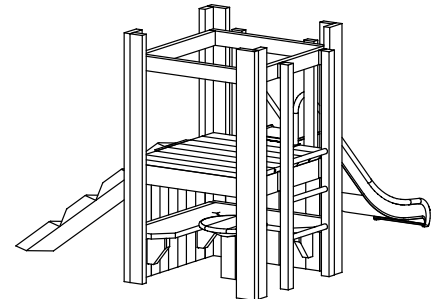
- | Components | Order No. |
|--|------------------|
| 1 Small Platform Hut with roof with steel feet, 2 walls, 2 benches and 1 table | 3.14350 |
| 1 Fall protection | 3.13161 |
| 1 Inclined Climbing Net | 3.69124 |
| 1 Bridge 2,00 m | 3.66425 |
| 1 Support Frame for Bridge | 3.66364 |
| 1 End Frame for ramps with steel feet | 3.66416 |

© Richter Spielgeräte GmbH 05/22

Order No. 2.12156
Hut combination 2155
 with fittings



Order No. 2.12156
Hut combination 2155
 with fittings



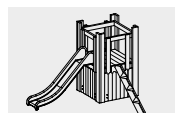
- | Components | Order No. |
|--|------------------|
| 1 Small Platform Hut with steel feet, 2 walls, 2 benches and 1 table | 3.14150 |
| 1 Climbing Trunk with steel foot | 3.69506 |
| 1 Stainless Steel Slide | 3.19220 |

Scale 1:100

Safety check according to DIN EN 1176


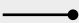



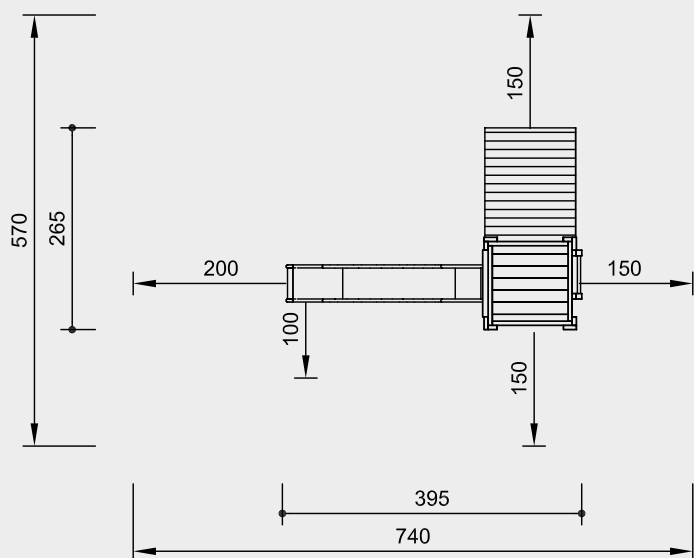
2.12141



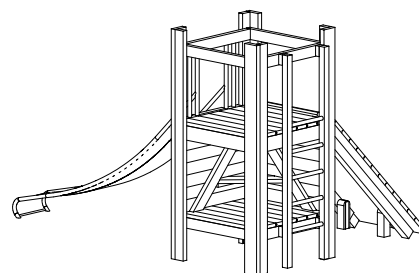
2.12156

Order No. 2.12160
Hut combination 216

Safety distance 
 Device dimensions 
 Functional distance 

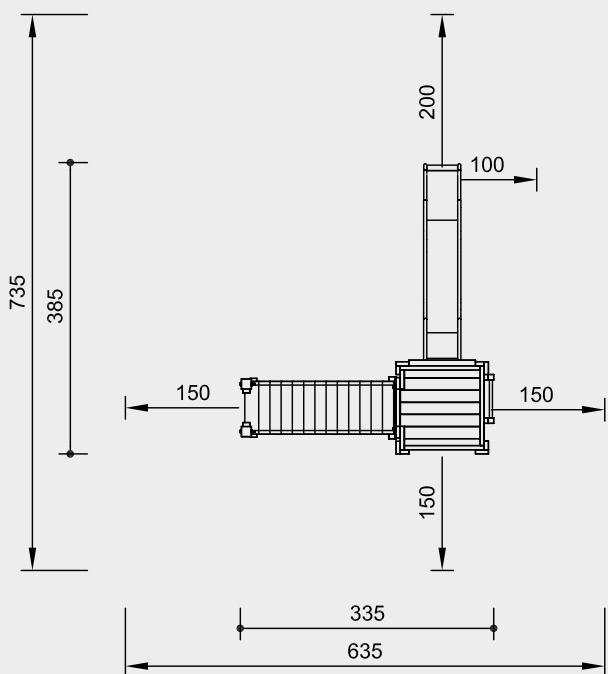


Order No. 2.12160
Hut combination 216

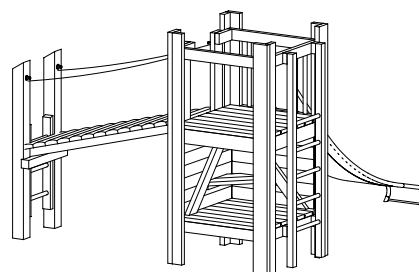


Components	Order No.
1 Platform Hut with steel feet	3.13100
1 Inclined Wall with steel feet	3.67531
1 Stainless Steel Slide	3.19210

Order No. 2.12171
Hut combination 217



Order No. 2.12171
Hut combination 217



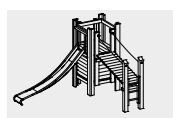
Components	Order No.
1 Platform Hut with steel feet	3.13100
1 Stainless Steel Slide	3.19210
1 Bridge 2.00 m	3.66420
1 Support Frame for Bridge	3.66360
1 End Frame for ramp with steel feet and ladder	3.66382

Scale 1:100

Safety check according to DIN EN 1176



2.12160



2.12171