

Play value

Our Play Village is a combination of different platform huts and attachment elements. The roofed huts of the small village not only offer the opportunity to hide away but also encourage various role-playing games. Ladders attached to the huts and the connecting bridges invite the children to climb and balance, and the sand chute with bucket wheels can be used to transport sand upwards and have it trickle down again. The wide slide and a swing also provide for swift exercise possibilities.



Play Village

Fundamental characteristics

- Child-oriented dimensions according to ergonomic knowledge
- Several playing levels
- Natural wooden surface that appeals to the senses
- Incentive for playing: role-playing games in cosy little rooms
- Movement: climbing, balancing, swinging, sliding

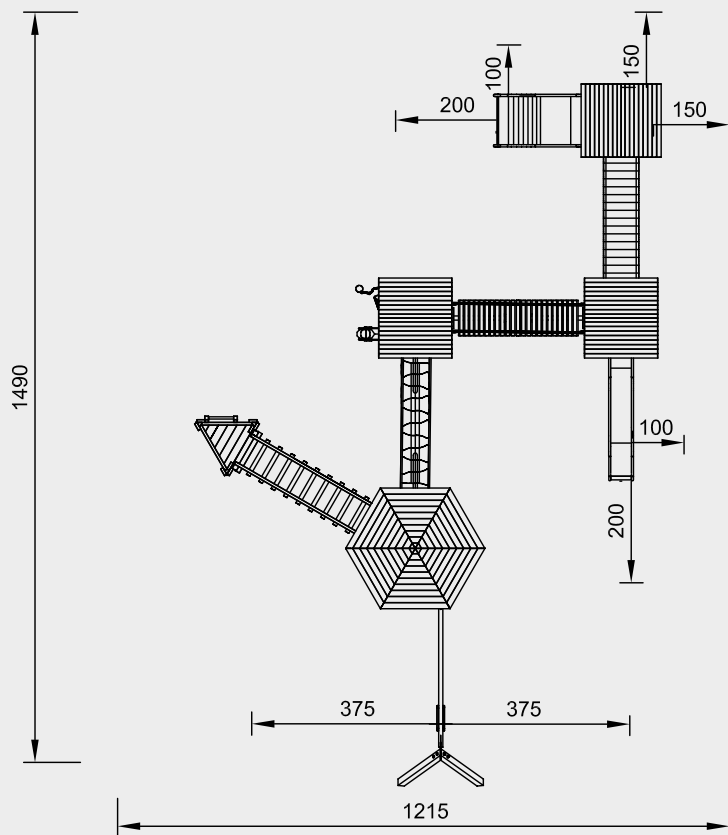
Recommended for

- Kindergarten children
- School children
- Supervised play areas, such as kindergartens, schools, after-school programmes or similar
- Public play areas without supervision, such as playgrounds, parks or similar
- Swimming pools without supervision, such as outdoor pools, adventure pools or similar.



**Order No. 2.15000
Play Village**

Safety distance →
Device dimensions —●—
Functional distance —|—



Scale 1:150

Safety check according to DIN EN 1176

Installation information

Surfacing requirements corresponding to a fall height of ≤ 1.50 m (please refer to price list for more detailed information)

Foundations

Platform Huts with roof

4 items 50 x 50 x 40 cm each
Excavation depth 60 cm

Triangular Hut

3 items 40 x 40 x 40 cm
Excavation depth 60 cm

Small Platform Hut with roof

4 items 50 x 50 x 40 cm
1 item 40 x 40 x 40 cm
Excavation depth 60 cm

Hexagonal Hut with roof

4 items 50 x 50 x 40 cm
1 item 50 x 150 x 40 cm
Excavation depth 60 cm

Single Swing

2 items 60 x 70 x 40 cm
Excavation depth 60 cm

Metal braces for Rope Bridge and Suspension Bridge

4 items 60 x 60 x 40 cm
Excavation depth 60 cm

Slides

Excavation depth for ground anchor 55 cm

Attention:

Exact measurements may vary; for all installation dimensions refer to current assembly instructions.

Technical changes reserved.

**Best.-Nr. 2.15000
Play Village**



Components

Order No.

- | | |
|---|----------------|
| 1 Triangular hut with steel feet | 3.12300 |
| 2 Support Frames for Chain Path for Platform Hut | 3.66290 |
| 1 Walkway for 3.00 m Chain Path | 3.66263 |
| 1 Hexagonal Hut with roof and steel feet | 3.16350 |
| 1 Single Swing special with steel feet | 3.19802 |
| 2 Support Frames for Rope Bridges for Huts | 3.66645 |
| 1 Rope Bridge 3.00 m | 3.66550 |
| 2 Platform Huts with roof and steel feet | 3.13300 |
| 1 Sand play equipment | 3.19100 |
| 2 Support Frames for Suspension Bridge | 3.66055 |
| 1 Running Boards for Suspension Bridge 3.00 m | 3.66090 |
| 1 Small Slide with Support Frame | 3.19210 |
| 2 Support Frames for Bridges for Huts | 3.66360 |
| 1 Bridge 3.00 m with Chain Handrail | 3.66320 |
| 1 Small Platform Hut with fittings, roof and steel feet | 3.14350 |
| 1 Small children slide for Platform Hut | 3.19200 |

Dimensions see sketches (small deviations possible)

Weight 1100 kg



2.15000