



Photo © Daniel Perales



Photo © Paul Upward



Order No. 3.19210 Slide

**Play value**

A large number of combination equipment gives the planner the opportunity to make playgrounds versatile and interesting. The Slide is an example of this.

**Fundamental characteristics**

- Unique and original
- Appealing design
- Incentive for playing: experiencing height, role-playing games
- Movement: climbing, sliding

**Recommended for**

- Kindergarten children
- School children
- Supervised play areas, such as kindergartens, schools, after-school programmes or similar
- Public play areas without supervision, such as playgrounds, parks or similar



Order No. 3.19200 Slide

**Note on installation**

Avoid orientation of the slide to the south (heating up of material).

**Slides for attachment to Huts**



3.19200



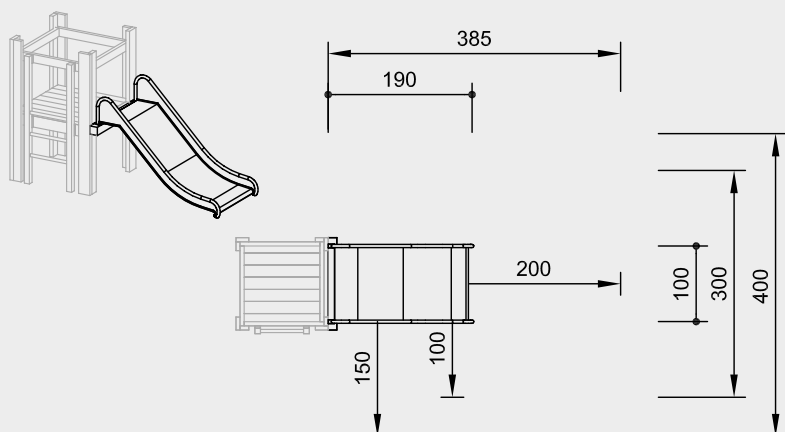
3.19210



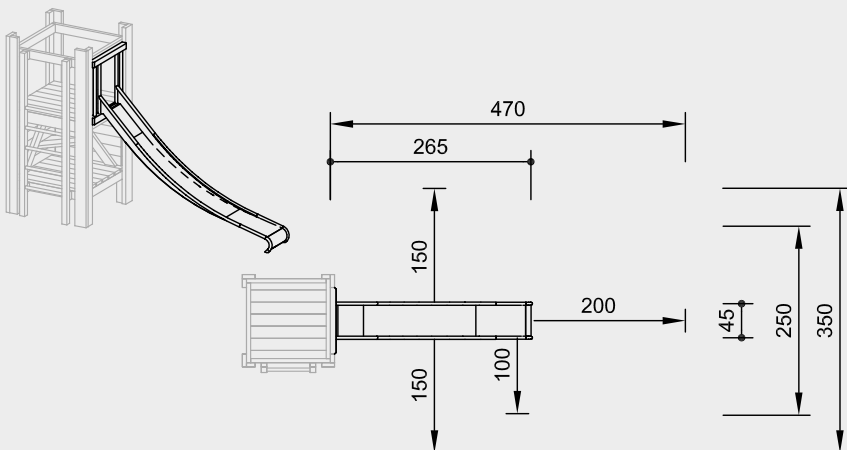
3.19220

**Order No. 3.19200**  
**Slide**  
**for attachment to Huts 1.00 m**

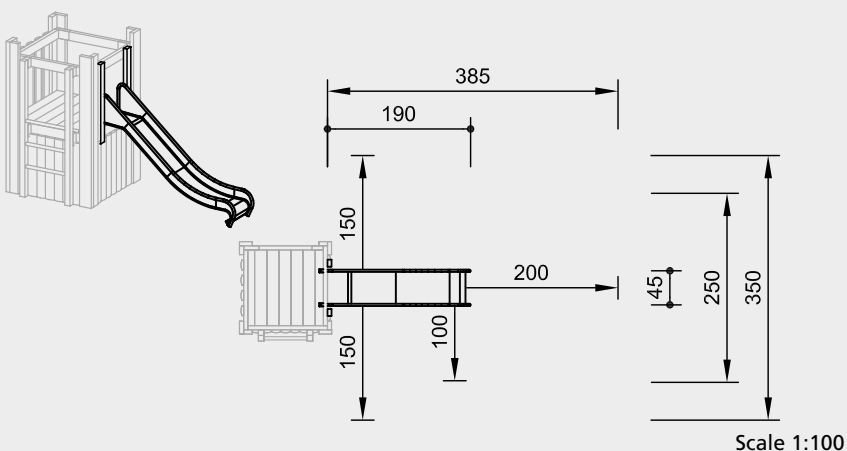
Safety distance   
 Device dimensions   
 Functional distance 



**Order No. 3.19210**  
**Slide**  
**for attachment to Huts 1.50 m**



**Order No. 3.19220**  
**Slide**  
**for attachment to Huts 1.00 m**



Scale 1:100

Safety check according to DIN EN 1176



3.19200



3.19210



3.19220

**Technical information**

Slides made of stainless steel,  
 glass bead blasted  
 Handrail tube Ø 42 mm  
 Ground anchor made of oak heartwood

**Order No. 3.19210**

**One-piece construction**

Total construction of the slide made of 2 mm stainless steel, drawn in box form, surface glass bead blasted, without welding seam between sliding surface and side cheek



**For more detailed explanation of the quality characteristics see price list.**

**Order No. 3.19200**

Thickness of sides 2 mm  
 Thickness of sliding surface 3 mm

**Order No. 3.19220**

Thickness of sides 2 mm  
 Thickness of sliding surface 2 mm

**Dimensions**

(small deviations possible)

**Order No. 3.19200**

Installation height	1.00 m
Width	1.00 m
Weight	65 kg

**Order No. 3.19210**

Installation height	1.50 m
Width	0.45 m
Weight	53 kg

**Order No. 3.19220**

Installation height	1.00 m
Width	0.45 m
Weight	45 kg

**Components**

**Order No. 3.19200**

- 1 Slide with ground anchor
- 1 Slide support

**Order No. 3.19210**

- 1 Slide with ground anchor
- 1 Support frame

**Order No. 3.19220**

- 1 Slide with ground anchor
- 1 Support frame

**Installation information**

Surfacing requirements corresponding to a fall height of  
**Order No. 3.19200 / 3.19220** ≤ 1.00 m  
**Order No. 3.19210** ≤ 1.50 m  
 (please refer to price list for more detailed information)

Foundations  
 Excavation depth  
 for ground anchor 55 cm

**Attention:**

**Exact measurements may vary;  
 for all installation dimensions refer  
 to current assembly instructions.**  
 Technical changes reserved.