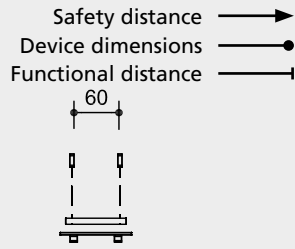
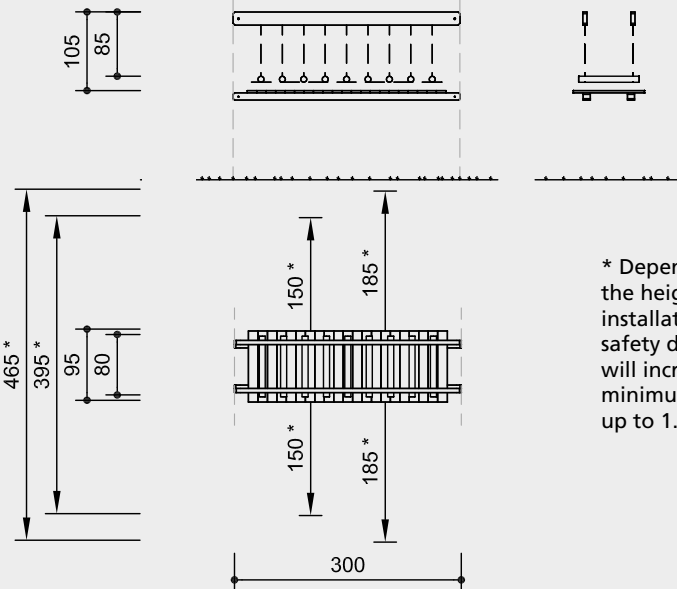
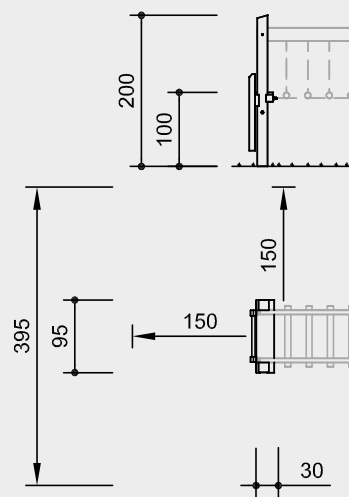


**Running Board Timbers
for Chain Path with / without safety board**
Order No. 3.66260 / 3.66263 Length 3.00 m
Order No. 3.66270 / 3.66273 Length 4.00 m

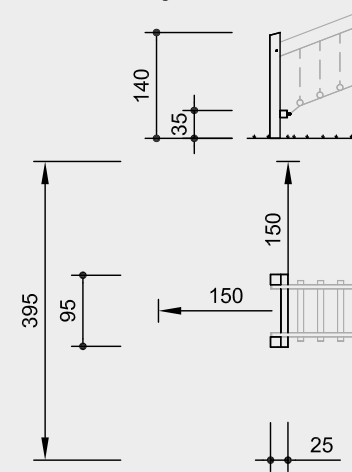


* Depending on the height of installation, the safety distances will increase from a minimum of 1.50 m up to 1.85 m.

**Order No. 3.66224
End Frame with Ladder**



**Order No. 3.66231
End Frame for Inclined Chain Path
without Safety Floor**



Scale 1:100

Safety check according to DIN EN 1176

Components

Order No. 3.66260 / 3.66270

- 2 Handrails with running board timbers and chains
- 1 Safety board

Order No. 3.66263 / 3.66273

- 2 Handrails with running board timbers and chains

Order No. 3.66224

- 1 End frame made of square timber with steel feet and ladder for huts

Order No. 3.66231

- 1 End frame made of square timber with steel feet for inclined chain path for huts

Installation information

Surfacing requirements corresponding to a fall height of depends on the installation conditions (please refer to price list for more detailed information)

Foundations

**Order No. 3.66224
End Frame with Ladder**

- 2 items 60 x 60 x 60
- Excavation depth 80 cm
- 1 item 60 x 30 x 30
- Excavation depth 50 cm

Order No. 3.66231

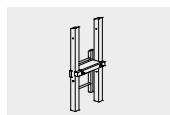
End Frame for Inclined Chain Path

- 2 items 60 x 60 x 60
- Excavation depth 80 cm

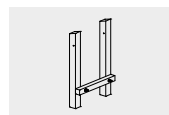
Attention:

Exact measurements may vary; for all installation dimensions refer to current assembly instructions.

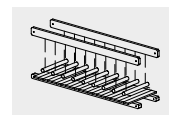
Technical changes reserved.



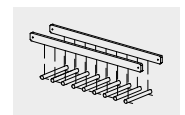
3.66224



3.66231



3.66260 / 3.66270



3.66263 / 3.66273

Technische Angaben

Equipment made of mountain larch

Order No.
3.66260 / 3.66263 / 3.66270 / 3.66273

Core-free

Sawn-timbers core-free, thus decreasing occurrences of cracking and undesired changes in shape



Chains

Chains made of hot-dip galvanized steel (1.4301 / 1.4571 at extra charge) welded before galvanising, short-linked, without eyelets on the connecting parts, easy to exchange and shorten



Order No. 3.66224 / 3.66231

Bevel cut

Vertical stand posts with bevelled end grain section as constructive wood preservation measure



Core-free

Sawn-timbers core-free, thus decreasing occurrences of cracking and undesired changes in shape



Profiled washer

Profiled washer for covering protruding screw heads according to standard, improved pressure distribution and protection against water. Impedes loosening the bolt



Adjustable

Adjustable two-piece bolt connection, easy to maintain, no projecting threads



Ground anchor

All parts used for anchoring to the ground are made of hot-dip galvanized steel or stainless steel



Order No. 3.66224

As above, but in addition with

Hardwood rungs

Climbing rungs made of hardwood (ash) Ø 4.2 cm, milled and mortised, secured against twisting, easy to grip and not cold for children to touch



For more detailed explanation of the quality characteristics see price list.

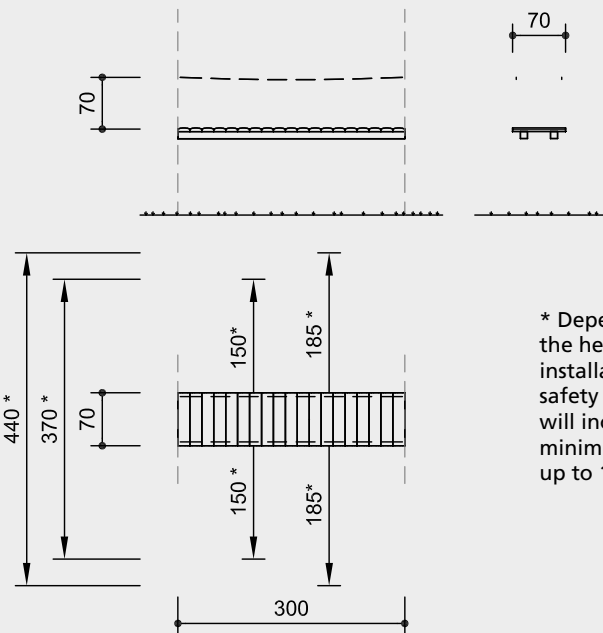
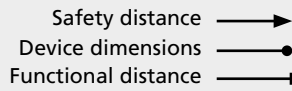
Dimensions

(small deviations possible)

Handrail length	3.00 / 4.00 m
Width	0.95 m
Running boards diameter	80 mm
Weight	120 / 160 kg
Weight End frame with ladder	100 kg
for inclined chain path	70 kg

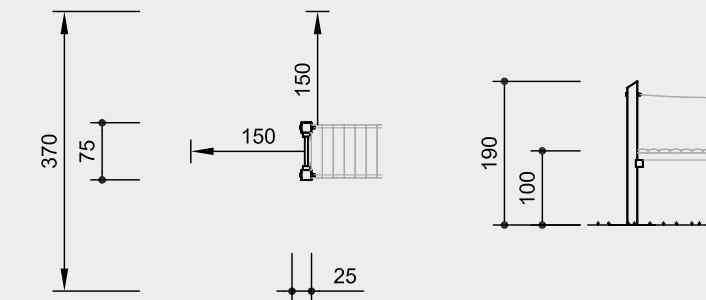
Rigid Bridge with chain handrail

- Order No. 3.66420** Length 2.00 m
- Order No. 3.66320** Length 3.00 m
- Order No. 3.66330** Length 4.00 m
- Order No. 3.66340** Length 5.00 m



* Depending on the height of installation, the safety distances will increase from a minimum of 1.50 m up to 1.85 m.

Order No. 3.66382
End Frame for Ramp with Ladder



Scale 1:100

Safety check according to DIN EN 1176

Components

- Order No. 3.66300**
1 Rigid bridge, Length 3.00 m
- Order No. 3.66420 / 3.66320 / 3.66330 / 3.66340**
1 Rigid bridge with chain handrails, Length 2.00 / 3.00 / 4.00 / 5.00 m
- Order No. 3.66382**
1 End frame for Ramp made of square timber with steel feet and ladder for Huts

Installation information

Surfacing requirements corresponding to a fall height of depends on the installation conditions (please refer to price list for more detailed information)

Foundations
Order No. 3.66382
End Frame for Ramp with Ladder
 1 item 120 x 60 x 60 cm
 Excavation depth 80 cm

Attention:
Exact measurements may vary; for all installation dimensions refer to current assembly instructions.
 Technical changes reserved.

Technische Angaben

Equipment made of mountain larch

Order No. 3.66300

Core-free
Sawn-timbers core-free, thus decreasing occurrences of cracking and undesired changes in shape



Claddings
Claddings made of mountain larch (4 – 5 cm). Peeled white by hand, natural tree surface remains tangible and perceptible



Order No. 3.66420 / 3.66320 / 3.66330 / 3.66340
As above, but in addition with

Chains
Chains made of hot-dip galvanized steel (1.4301 / 1.4571 at extra charge) welded before galvanising, short-linked, without eyelets on the connecting parts, easy to exchange and shorten



Order No. 3.66382

Bevel cut
Vertical stand posts with bevelled end grain section as constructive wood preservation measure



Core-free
Sawn-timbers core-free, thus decreasing occurrences of cracking and undesired changes in shape



Hardwood rungs
Climbing rungs made of hardwood (ash) Ø 4.2 cm, milled and mortised, secured against twisting, easy to grip and not cold for children to touch



Profiled washer
Profiled washer for covering protruding screw heads according to standard, improved pressure distribution and protection against water. Impedes loosening the bolt



Ground anchor
All parts used for anchoring to the ground are made of hot-dip galvanised steel or stainless steel

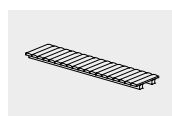


For more detailed explanation of the quality characteristics see price list.

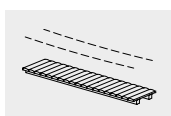
Dimensions
(small deviations possible)

Order No. 3.66420 / 3.66320 / 3.66330 / 3.66340

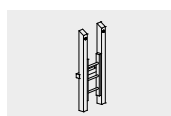
Length of bridge	2.00 / 3.00 / 4.00 / 5.00 m
Width	0.70 m
Weight	80 / 110 / 146 / 183 kg
End Frame	80 kg



3.66300



3.66320 - 3.66340 / 3.66420



3.66382