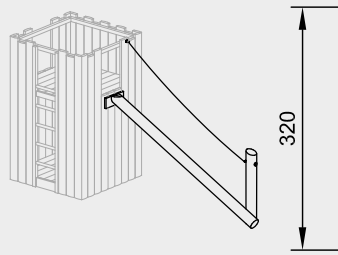
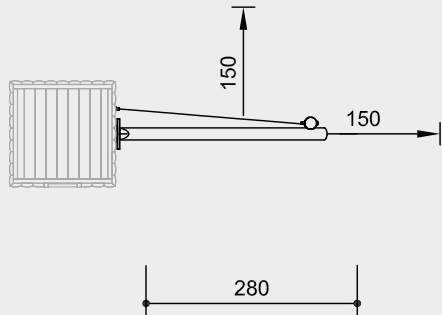


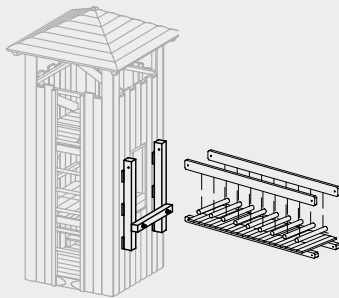
**Order No. 3.68301**  
**Inclined Balancing Beam**  
 for attachment to Tower 1.50 m



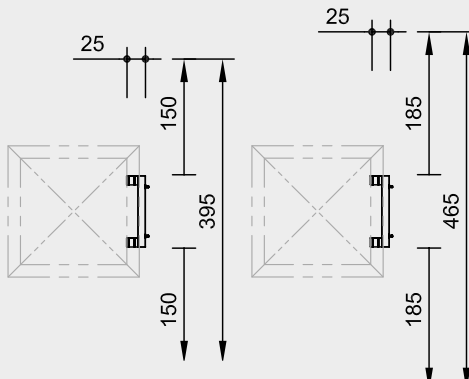
Safety distance →  
 Device dimensions ●  
 Functional distance —



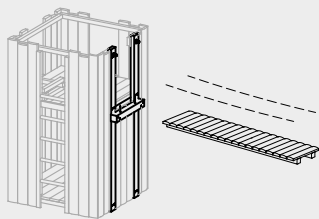
**Order No. 3.66240**  
**Support Frame for Chain Path**



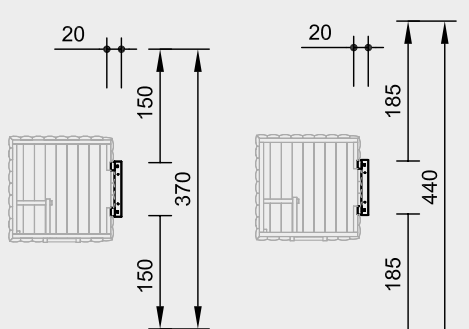
Installation height 1.00 m / 1.50 m      Installation height 2.00 m



**Order No. 3.66350 / 3.66352 / 3.66351**  
**Support Frame for Bridges**  
 Installation height 1.00 m / 1.50 m / 2.00 m



Installation height 1.00 m / 1.50 m      Installation height 2.00 m



Scale 1:100

Safety check according to DIN EN 1176

**Installation information**

**Order No. 3.68301**  
**Inclined Balancing Beam**

- 1 Inclined balancing beam
- 1 Stand post with chain handrail and steel foot

**Order No. 3.66240 / 3.66350 - 3.66352**  
**Support Frames**

- 1 Support Frame each

**Components**

Surfacing requirements corresponding to a fall height of  
**Order No. 3.68301** ≤ 1.50 m  
**Order No. 3.66240 / 3.66350 - 3.66352** determined by installation height (please refer to price list for more detailed information)

Foundations  
**Order No. 3.68301**  
 1 item 60 x 60 x 50 cm  
 Excavation depth 80 cm

**Attention:**  
 Exact measurements may vary;  
 for all installation dimensions refer to current assembly instructions.  
 Technical changes reserved.

**Technical information**

Equipment made of non-impregnated mountain larch

**Order No. 3.68301**  
**Inclined Balancing Beam**

**Peeled white**  
 Palisades peeled white means that bark, cambium and sapwood are removed, the natural shape of the trunk is preserved and can be experienced



**Bevel cut**  
 Vertical stand posts with bevelled end grain section as constructive wood preservation measure



**Ground anchor**  
 All parts used for anchoring to the ground are made of hot-dip galvanised steel or stainless steel



**Chains**  
 Chains made of hot-dip galvanized steel (1.4301 / 1.4571 at extra charge) welded before galvanising, short-linked, without eyelets on the connecting parts, easy to exchange and shorten



**Order No. 3.66240 / 3.66350 / 3.66352 / 3.66351**  
**Support Frames**

**Core-free**  
 Sawn-timbers core-free, thus decreasing occurrences of cracking and undesired changes in shape



**Profiled washer**  
 Profiled washer for covering protruding screw heads according to standard, improved pressure distribution and protection against water. Impedes loosening the bolt



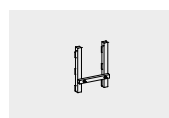
**Adjustable**  
 Adjustable two-piece bolt connection, easy to maintain, no projecting threads



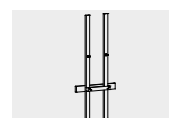
**For more detailed explanation of the quality characteristics see price list.**

**Dimensions**  
 (small deviations possible)

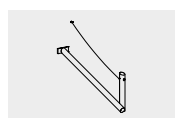
<b>Order No. 3.68301</b> <b>Inclined Balancing Beam</b>	
Length	3.00 m
Weight	100 kg



3.66240



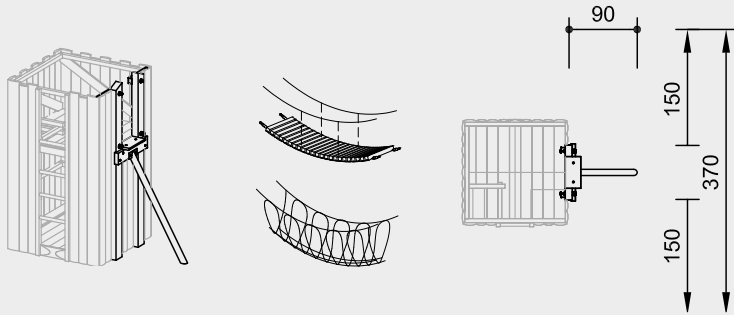
3.66350 - 3.66352



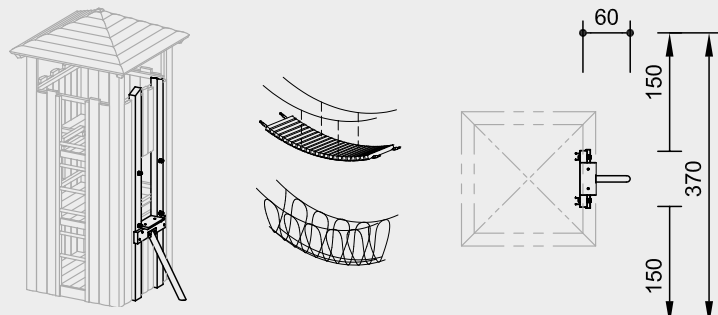
3.68301

**Order No. 3.66045**  
**Support Frame for Suspension Bridge on Tower**  
**Order No. 3.66603**  
**Support Frame for Rope Bridge on Tower**  
 for attachment on Square Tower 1.50 m (**Order No. L3.20500**)

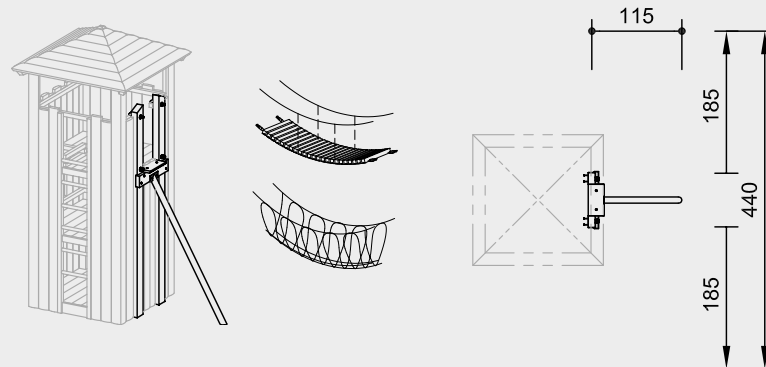
Safety distance →  
 Device dimensions ●  
 Functional distance —



**Order No. 3.66005**  
**Support Frame for Suspension Bridge**  
**Order No. 3.66593**  
**Support Frame for Rope Bridge**  
 for attachment on Square Tower with Roof 2.00 m (**Order No. L3.20600**)  
 Installation height 1.00 m



**Order No. 3.66065**  
**Support Frame for Suspension Bridge**  
**Order No. 3.66613**  
**Support Frame for Rope Bridge**  
 for attachment on Square Tower with Roof 2.00 m (**Order No. L3.20600**)  
 Installation height 2.00 m



Scale 1:100

Safety check according to DIN EN 1176

**Technical information**

Equipment made of non-impregnated mountain larch

**Core-free**  
 Sawn-timbers core-free, thus decreasing occurrences of cracking and undesired changes in shape



**Plywood**  
 Plywood made of mountain larch, three-layer (3 cm) or five-layer (4 cm). High dimensional stability, waterproof, glued according to DIN EN 13353:2011



**Profiled washer**  
 Profiled washer for covering protruding screw heads according to standard, improved pressure distribution and protection against water. Impedes loosening the bolt



**Adjustable**  
 Adjustable two-piece bolt connection, easy to maintain, no projecting threads



**Ground anchor**  
 All parts used for anchoring to the ground are made of hot-dip galvanised steel or stainless steel



**For more detailed explanation of the quality characteristics see price list.**

Metal braces hot-dip galvanised, Ø 83 mm

**Components**

1 Frame each

**Installation information**

Surfacing requirements corresponding to a fall height determined by installation height (please refer to price list for more detailed information)

Foundations  
**For each support frame**  
 1 item 60 x 60 x 40 cm  
 Excavation depth 60 cm

**Attention:**  
**Exact measurements may vary;**  
**for all installation dimensions refer to current assembly instructions.**  
 Technical changes reserved.



3.66045 / 3.66603



3.66005 / 3.66593



3.66065 / 3.66613