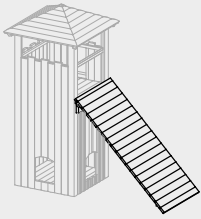
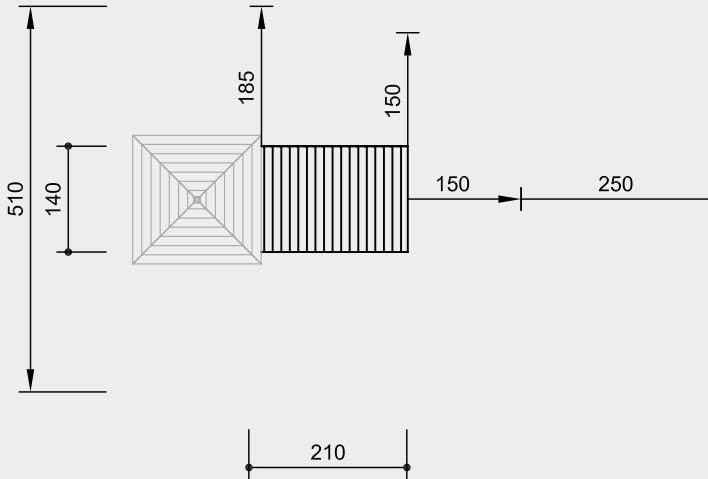
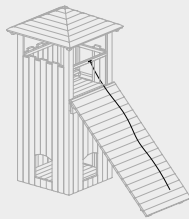


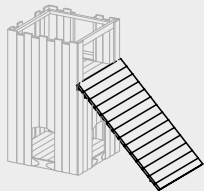
Order No. 3.67511
Inclined Wall
 for attachment to Tower
 with roof 2.00 m (**Order No. L3.20600**)



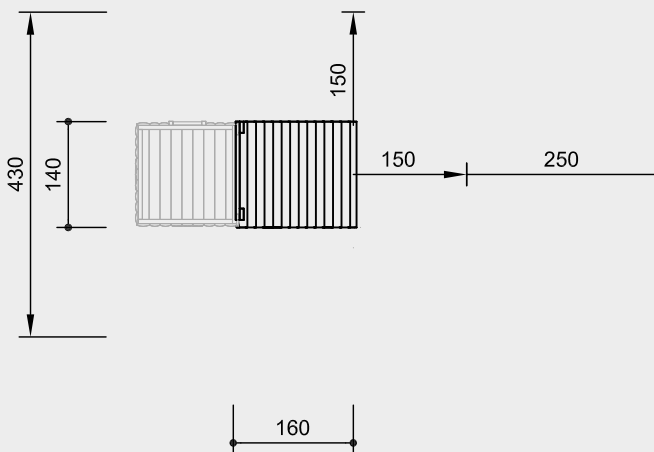
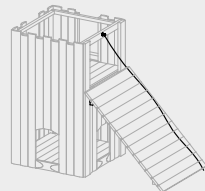
Order No. 3.69440
Holding Rope
 for Inclined Wall
 with installation height 2.00 m



Order No. 3.67514
Inclined Wall
 for attachment to
 Tower 1.50 m (**Order No. L3.20500**)



Order No. 3.69470
Holding Rope
 for Inclined Wall
 with installation height 1.50 m



Scale 1:100

Safety check according to DIN EN 1176

Attention:
 Exact measurements may vary;
 for all installation dimensions refer
 to current assembly instructions.
 Technical changes reserved.

Technical information

Equipment made of non-impregnated mountain larch

Core-free

Sawn-timbers core-free, thus decreasing occurrences of cracking and undesired changes in shape



Tongue and groove

Tongue and groove planks made of 4 cm solid wood, highly resilient, no trickling of dust / sand, protection against direct rain



Ground anchor

All parts used for anchoring to the ground are made of hot-dip galvanised steel or stainless steel



Order No. 3.69440 / 3.69470

Richter Hercules type rope

Richter Hercules type rope, a combination of galvanised six-strand steel cables and polyester yarn, diameter > 20 mm, laid and glued with very good abrasion resistance, strong sheathing even in the case of damage by puncturing



Rotating rope connection

Rotatable fitting without dangerous openings, with sintered bush with integrated swivel to ensure the rope untwists



For more detailed explanation of the quality characteristics see price list.

Standard colour rope: rainbow

Dimensions

(small deviations possible)

Order No. 3.67511

Installation height	2.00 m
Length	2.95 m
Width	1.30 m
Weight	150 kg

Order No. 3.67514

Installation height	1.50 m
Length	2.25 m
Width	1.30 m
Weight	120 kg

Components

- 1 Inclined wall with inclination 45° and 2 steel feet

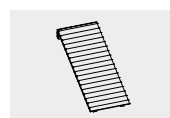
Installation information

Surfacing requirements corresponding to a fall height of
Order No. 3.67511 ≤ 2.00 m
Order No. 3.67514 ≤ 1.50 m
 (please refer to price list for more detailed information)

Foundations

Order No. 3.67511 / 3.67514

- 2 items 50 x 50 x 40 cm
- Excavation depth 60 cm



3.67511

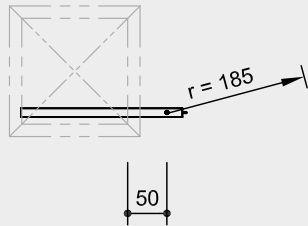
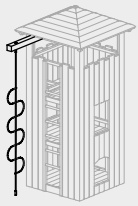


3.67514

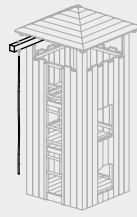


3.69440 / 3.69470

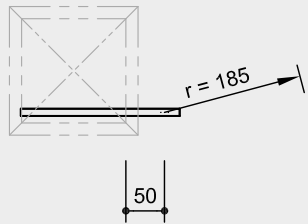
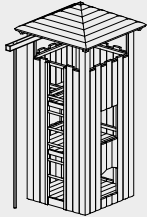
Order No. 3.69410
Serpentine Ladder with Beam
 for attachment to Tower
 with roof 2.00 m (Order No. L3.20600)



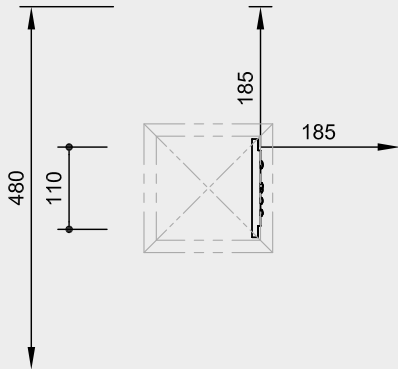
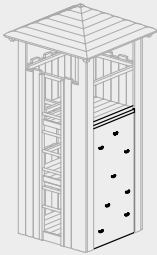
Order No. 3.69450
Swing Rope with Beam
 for attachment to Tower
 with roof 2.00 m (Order No. L3.20600)



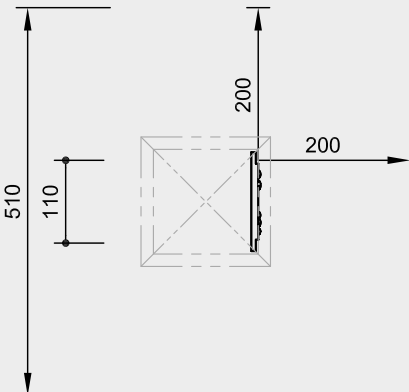
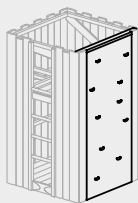
Order No. 3.69460
Firemen's Pole with Beam
 for attachment to Tower
 with roof 2.00 m (Order No. L3.20600)



Order No. 3.67502
Climbing Wall
 for attachment to Tower
 with roof 2.00 m (Order No. L3.20600)



Order No. 3.67504
Climbing Wall
 for attachment to Tower
 with roof 2.00 m (Order No. L3.20600)



Scale 1:100

Safety check according to DIN EN 1176

Attention:
 Exact measurements may vary;
 for all installation dimensions refer
 to current assembly instructions.
 Technical changes reserved.



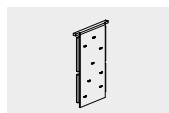
3.69410



3.69450



3.69460



3.67502 / 3.67504

Technical information

Wooden parts made of non-impregnated mountain larch

Core-free

Sawn-timbers core-free, thus decreasing occurrences of cracking and undesired changes in shape



Order No. 3.69410 / 3.69450

Richter Hercules type rope

Richter Hercules type rope, a combination of galvanised six-strand steel cables and polyester yarn, diameter > 20 mm, laid and glued with very good abrasion resistance, strong sheathing even in the case of damage by puncturing



Standard colour rope: rainbow

Order No. 3.69460

Firemen's pole made of stainless steel, glass bead blasted, Ø 42 mm

Order No. 3.67502 / 3.67504

Plywood

Plywood made of mountain larch, three-layer (3 cm) or five-layer (4 cm). High dimensional stability, waterproof, glued according to DIN EN 13353:2011



For more detailed explanation of the quality characteristics see price list.

Professional climbing grips made of a mixture of sand-synthetic resin with safe anti-rotation system against unintended twisting of the grips

Dimensions

(small deviations possible)

Order No. 3.69410 / 3.69450 / 3.69460

Installation height of cross beam 3.10 m

Order No. 3.67502 / 3.67504

Height 2.00 / 2.30 m

Width 1.10 m

Components

Order No. 3.69410 / 3.69450 / 3.69460

1 Cross beam with combination element

Order No. 3.67502

1 Climbing wall, attached with 8 climbing grips

Order No. 3.67504

1 Climbing wall, attached with 10 climbing grips

Installation information

Surfacing requirements corresponding to a fall height of
Order No. 3.69410 - 3.67502 ≤ 2.00 m
Order No. 3.67504 ≤ 3.00 m
 (please refer to price list for more detailed information)

Foundations

Order No. 3.69410 / 3.69460

1 items 30 x 30 x 30 cm

Excavation depth 50 cm

Order No. 3.69450

without foundation