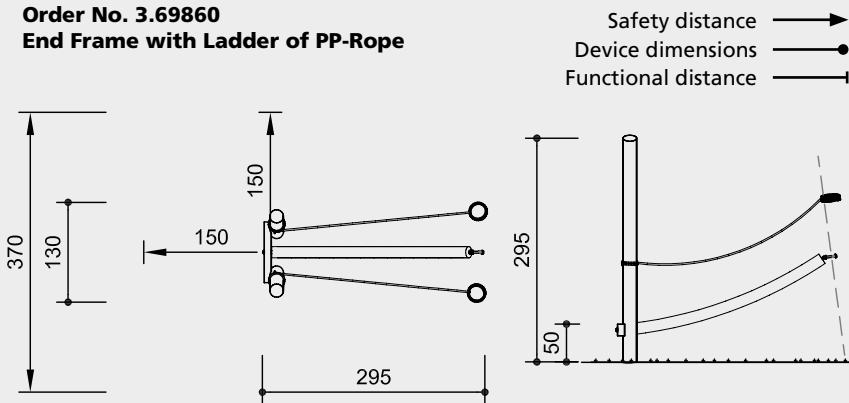
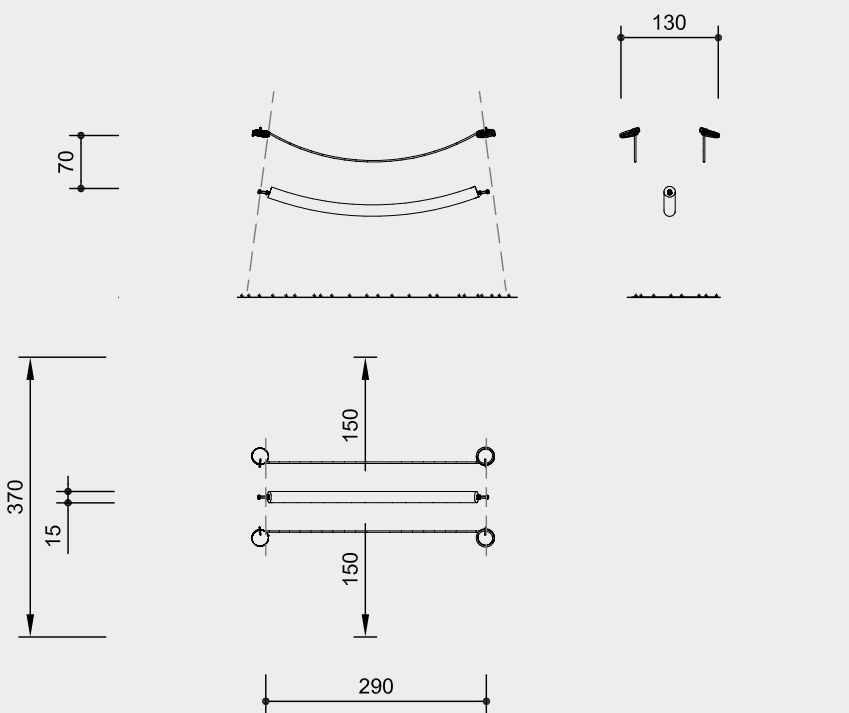


Order No. 3.69860
End Frame with Ladder of PP-Rope



Order No. 3.69865
Rope Crossing with PP-Rope
 Length 3.00 m



Safety check according to DIN EN 1176

Components

- Order No. 3.69860**
 1 End frame with steel feet
 1 PP rope 3.00 m
 2 Handrails
 1 Distance batten

- Order No. 3.69865**
 1 PP rope 3.00 m
 2 Handrails
 1 Distance batten

Installation information

Surfacing requirements corresponding to a fall height of ≤ 1.50 m (please refer to price list for more detailed information)

Foundations
Order No. 3.69860
 1 item 100 x 100 x 60 cm
 Excavation depth 80 cm

Attention:
Exact measurements may vary;
for all installation dimensions refer to current assembly instructions.
 Technical changes reserved.

Technical information

Order No. 3.69860

Peeled white

Palisades peeled white means that bark, cambium and sapwood are removed, the natural shape of the trunk is preserved and can be experienced



Richter Hercules type rope

Richter Hercules type rope, a combination of galvanised six-strand steel cables and polyester yarn, diameter > 20 mm, laid and glued with very good abrasion resistance, strong sheathing even in the case of damage by puncturing



Ground anchor

All parts used for anchoring to the ground are made of hot-dip galvanised steel or stainless steel



Rope made of PP fibre \varnothing 150 mm with 12 mm galvanised steel core, Standard colour rope: natural

Order No. 3.69865

Richter Hercules type rope

Richter Hercules type rope, a combination of galvanised six-strand steel cables and polyester yarn, diameter > 20 mm, laid and glued with very good abrasion resistance, strong sheathing even in the case of damage by puncturing



For more detailed explanation of the quality characteristics see price list.

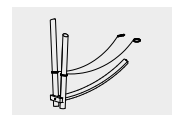
Rope made of PP fibre \varnothing 150 mm with 12 mm galvanised steel core, Standard colour rope: natural

Dimensions

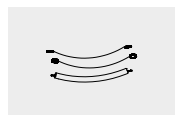
(small deviations possible)

Order No. 3.69860	
Height	2.95 m
Length	2.95 m
Width	1.30 m
Weight	180 kg

Order No. 3.69865	
Length	2.90 m
Diameter	0.15 m
Weight	45 kg



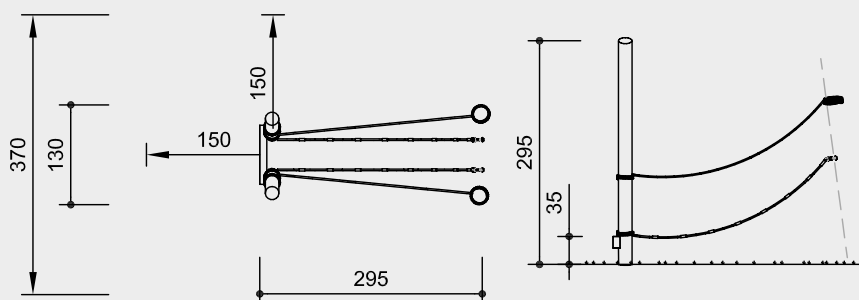
3.69860



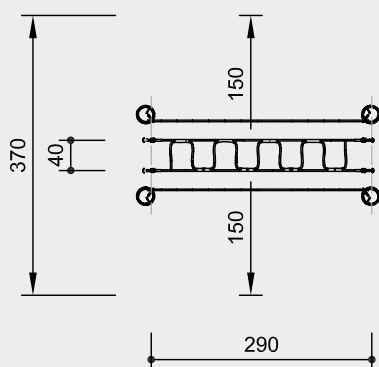
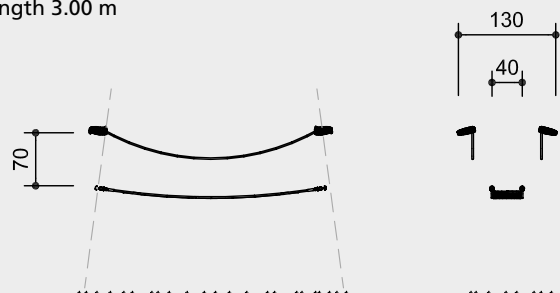
3.69865

Order No. 3.69813
End Frame incl. Rope Ascent
with Aluminium Swages

Safety distance →
 Device dimensions ●
 Functional distance —



Order No. 3.69833
Wobbly Bridge with Handrail Ropes
 Length 3.00 m



Scale 1:100

Safety check according to DIN EN 1176

Components

Order No. 3.69813

- 1 End frame with steel feet
- 1 Ladder with climbing holds
- 2 Handrails

Order No. 3.69833

- 1 Wobbly bridge
- 2 Handrails
- 2 Distance battens

Installation information

Surfacing requirements corresponding to a fall height of ≤ 1.50 m (please refer to price list for more detailed information)

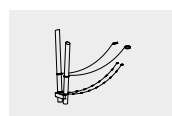
Foundations

- Order No. 3.69813**
- 1 item 100 x 100 x 60 cm
- Excavation depth 80 cm

Attention:

Exact measurements may vary; for all installation dimensions refer to current assembly instructions.

Technical changes reserved.



3.69813



3.69833

Technical information

Order No. 3.69813

Peeled white

Palisades peeled white means that bark, cambium and sapwood are removed, the natural shape of the trunk is preserved and can be experienced



Bevel cut

Vertical stand posts with bevelled end grain section as constructive wood preservation measure



Richter Hercules type rope

Richter Hercules type rope, a combination of galvanised six-strand steel cables and polyester yarn, diameter > 20 mm, laid and glued with very good abrasion resistance, strong sheathing even in the case of damage by puncturing



Aluminium rope pressing

Aluminium rope pressing, cylindrically pressed, with rounded ends



Rope connection with joint

Close-fitting connection with joint, without dangerous openings, with sintered bush and adjustable screw connection



Ground anchor

All parts used for anchoring to the ground are made of hot-dip galvanised steel or stainless steel



Standard colour rope: natural

Order No. 3.69833

Richter Hercules type rope

Richter Hercules type rope, a combination of galvanised six-strand steel cables and polyester yarn, diameter > 20 mm, laid and glued with very good abrasion resistance, strong sheathing even in the case of damage by puncturing



Aluminium rope pressing

Aluminium rope pressing, cylindrically pressed, with rounded ends



S-connectors

S-connectors $\varnothing 8.1$ mm, made of high-quality stainless steel, rounded



Rope connection with joint

Close-fitting connection with joint, without dangerous openings, with sintered bush and adjustable screw connection



For more detailed explanation of the quality characteristics see price list.

Standard colour rope: natural

Dimensions

(small deviations possible)

Order No. 3.69813

- Height 2.95 m
- Length 2.95 m
- Width 1.30 m
- Weight 145 kg

Order No. 3.69833

- Length 2.90 m
- Width 0.40 m
- Weight 12 kg