

**Play value**

Children, and above all girls, love every kind of horse. They promote role play and encourage communication skills. The Pony is a smaller edition of our Horse. The small Pony and Trap is a miniature version of the big "Peter" Horse Cart. The buggy promotes role play and encourages communication skills. The Pony can also be looked after alone, just like in real life.



Order No. 4.24145 Pony and Trap



Order No. 4.24135 Pony



Order No. 4.24145 Pony and Trap

**Fundamental characteristics**

- Child-oriented dimensions
- Natural wooden surface which appeals to the senses, chunky bodies
- Incentive for playing: animal, cart, tail, rein
- Movement: climbing, riding

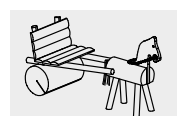
**Recommended for**

- Children under 3 years
- Kindergarten children
- Supervised play areas, such as kindergartens, schools, after-school programmes or similar
- Public play areas without supervision, such as playgrounds, parks or similar

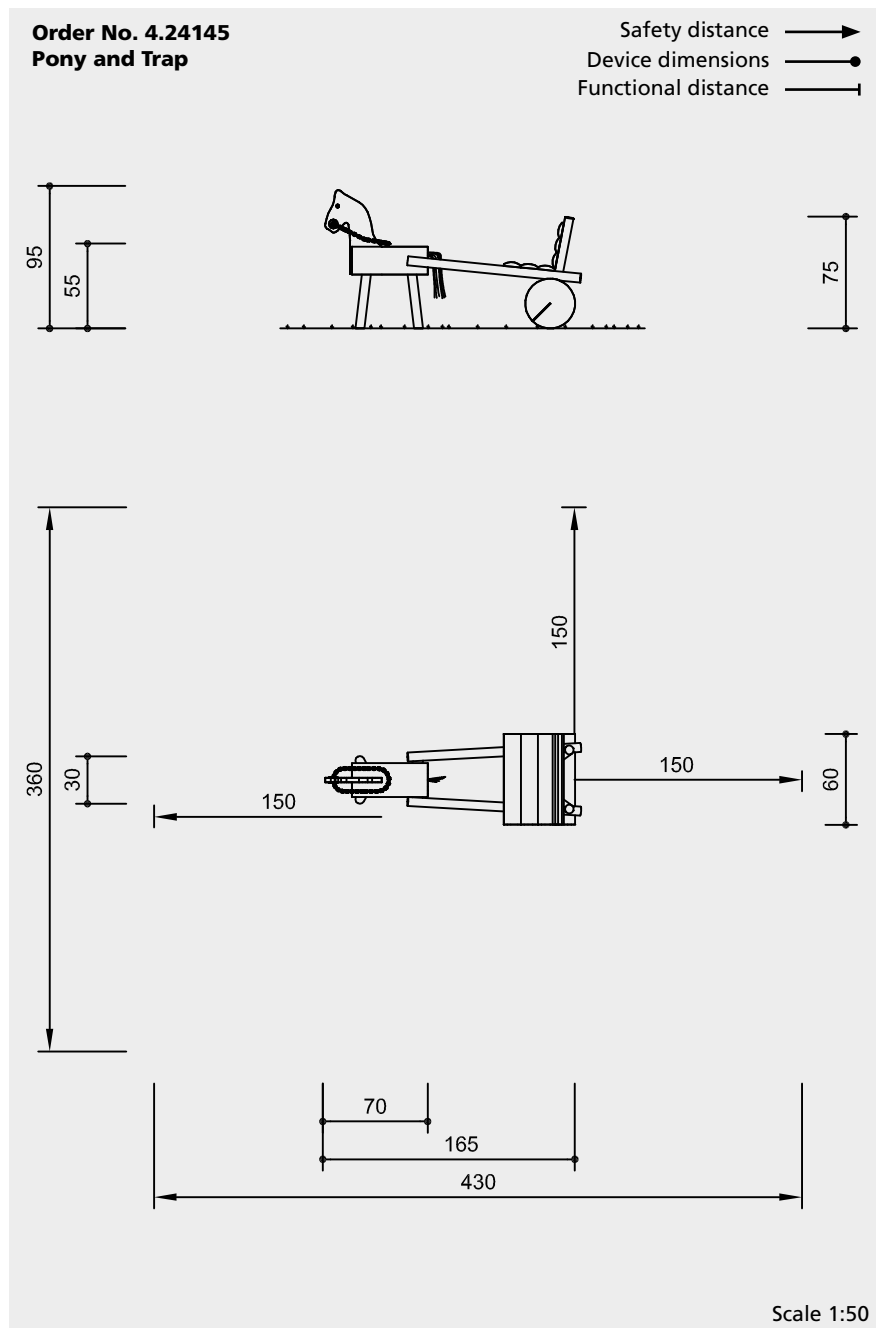
**Pony  
Pony and Trap**



4.24135



4.24145



Safety check according to DIN EN 1176

**Components**

**Order No. 4.24135**

- Pony**  
1 Pony  
4 Foundation irons

**Order No. 4.24145**  
**Pony and Trap**

- 1 Pony  
1 Trap  
5 Foundation irons

**Installation information**

Surfacing requirements corresponding to a fall height of ≤ 0.60 m (please refer to price list for more detailed information)

Foundations (only necessary in order to immobilise the equipment)

**Order No.4.24135 Pony**

- 1 item 60 x 70 x 15 cm  
Excavation depth 35 cm

**Order No. 4.24145 Pony and Trap**

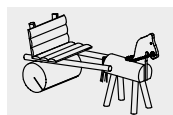
- 1 item 60 x 70 x 15 cm  
Excavation depth 35 cm  
1 items 50 x 30 x 15 cm  
Excavation depth 35 cm

**Attention:**

**Exact measurements may vary; for all installation dimensions refer to current assembly instructions.**  
Technical changes reserved.



4.24135



4.24145

**Technical information**

Equipment made of non-impregnated mountain larch

**Peeled white**

Palisades peeled white means that bark, cambium and sapwood are removed, the natural shape of the trunk is preserved and can be experienced



**Core-free**

Sawn-timbers core-free, thus decreasing occurrences of cracking and undesired changes in shape



**Claddings**

Claddings made of mountain larch (4 – 5 cm). Peeled white by hand, natural tree surface remains tangible and perceptible



**Plywood**

Plywood made of mountain larch, three-layer (3 cm) or five-layer (4 cm). High dimensional stability, waterproof, glued according to DIN EN 13353:2011



**Ground anchor**

All parts used for anchoring to the ground are made of hot-dip galvanised steel or stainless steel



**Chains**

Chains made of hot-dip galvanized steel (1.4301 / 1.4571 at extra charge) welded before galvanising, short-linked, without eyelets on the connecting parts, easy to exchange and shorten



**Relief cut**

Targeted relief cut as an effective measure against cracks caused by drying. The cut defines the position of the stress equalization in the trunk and minimises natural cracking



**For more detailed explanation of the quality characteristics see price list.**

Tail made of PP rope, 16 mm, 3 strands

**Dimensions**

(small deviations possible)

**Order No. 4.24135**

<b>Pony</b>	
Height	0.95 m
Seat height	0.55 m
Length	0.70 m
Width	0.30 m
Weight	30 kg

**Order No. 4.24145**

<b>Pony and Trap</b>	
Height	0.95 m
Seat height	0.55 m
Length	1.65 m
Width	0.60 m
Weight	70 kg