

**Play value**

Water play facilities which are not installed in natural surroundings using the typical design elements, become interesting by other special features. The Rotating Conveyor with its technical appearance scoops water, pours the water in differently shaped containers which get filled one after the other, like a cascade, and finally lets the water flow down. Water can be experienced in a lively, steadily changing form. The Tipper Trays can also be combined with other water scooping elements.



Photo © Daniel Perales

**Rotating Conveyor with Tipper Trays**

**Fundamental characteristics**

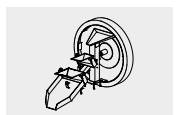
- Unique and original
- High-quality metal construction
- Exclusive design
- Incentive for playing: large wheel
- Movement: physical effort

**Recommended for**

- Kindergarten children
- School children
- Public play areas without supervision, such as playgrounds, parks or similar
- Swimming pools without supervision, such as outdoor pools, adventure pools or similar

**Barrier-free**

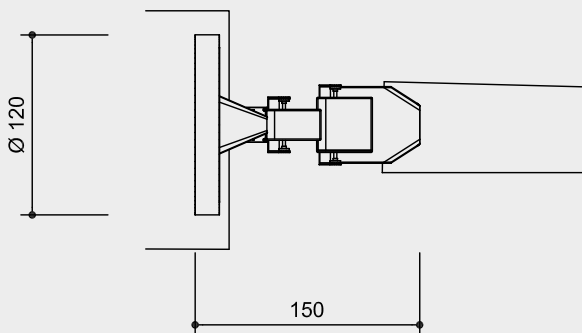
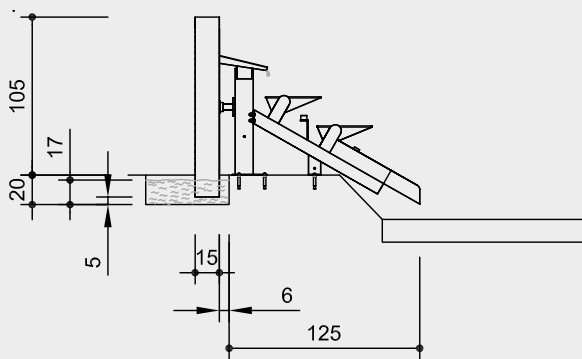
- Independent play



5.20850

**Order No. 5.20850**  
**Rotating Conveyor with Tipper Trays**

Safety distance   
 Device dimensions   
 Functional distance 



Scale 1:50

Safety check according to DIN EN 1176

**Components**

- 1 Rotating Conveyor with run out
- 1 Gutter element with 2 Tipper Trays

**Installation information**

Surfacing requirements  
 no fall height according to standard

We recommend underground for heavy duty bolting with drainage

- Water depth: for a proper function a min. water depth of 17 cm is required.
- Water supply and water basin have to be provided for on site.

Foundations  
 Support posts with flanges for fixation with screws.

**Technical information**

Equipment made of stainless steel, glass bead blasted

**Roller bearings**

High-quality roller bearings made of chrome steel or stainless steel for rotating elements, easy to maintain and exchange, sealed



For more detailed explanation of the quality characteristics see price list.

**Dimensions**

(small deviations possible)

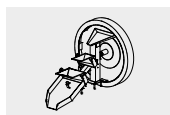
Length	1.50 m
Diameter	1.20 m
Weight	130 kg

**Attention:**

**Exact measurements may vary; for all installation dimensions refer to current assembly instructions.**

Technical changes reserved.

**For use in aggressive environments such as salt or chlorine water, the equipment is also available in marine grade steel (V4A).**



5.20850