

Play value

Even landlubbers want to go to sea on our Sailing Boat. Just as in real life, young explorers can rock on the "waves". All the more with someone standing at the mast to make sure that there is a strong wind blowing. A sailor with less courage can sit next to the tiller and maintain the course. Even when there is a violent storm, the passengers don't fall off because they can hold on tight everywhere. The Sailing Boat encourages numerous activities and role-playing games.



Order No. 6.03201 Sailing Boat with Flag,
Photo © Paul Upward



Order No. 6.03200 Sailing Boat with Flag, Photo © Paul Upward

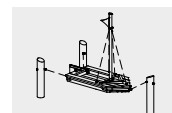
Fundamental characteristics

- Unique and original
- Three-point suspension evokes the illusion of being on a sailing boat
- Incentive for playing: shape, mast guy
- Movement: moving one's centre of gravity, rocking (side to side), swinging

Recommended for

- Kindergarten children
- School children
- Supervised play areas, such as kindergartens, schools, after-school programmes or similar
- Public play areas without supervision, such as playgrounds, parks or similar

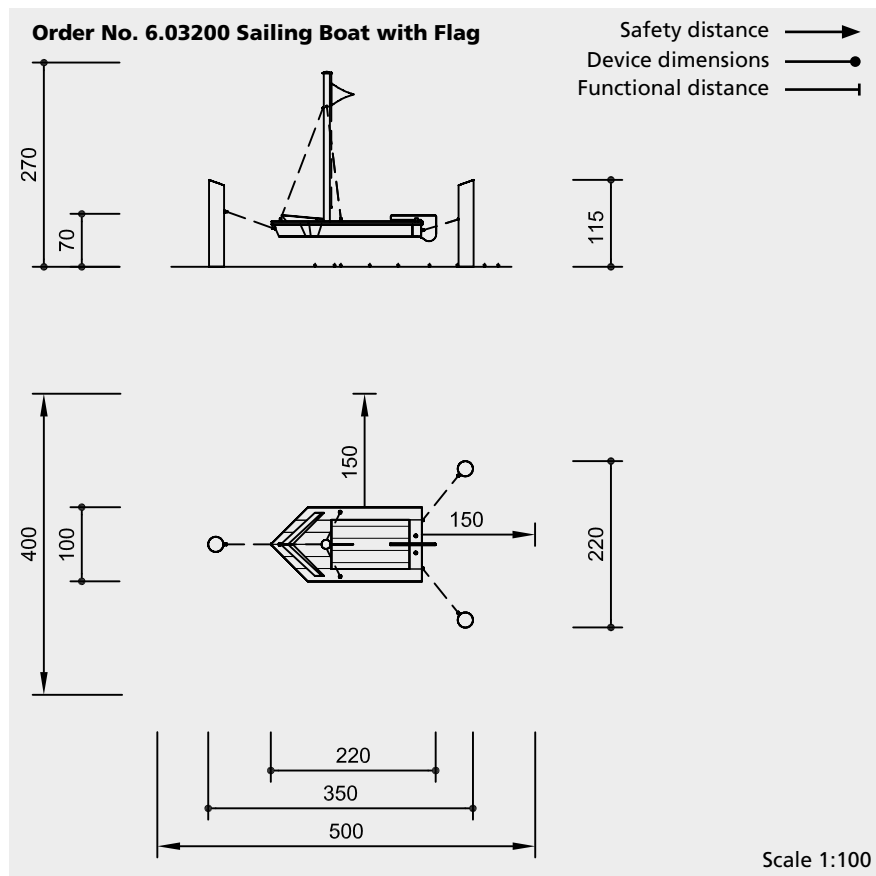
**Sailing Boat with Flag
Sailing Boat without Flag**



6.03200 / 6.03201



6.03210 / 6.03211



Safety check according to DIN EN 1176

Components

Order No. 6.03200 Sailing Boat with Flag
 1 Ship with mast and tiller
 3 Stand posts of robinia
 1 Hoistable flag

Order No. 6.03201 Sailing Boat with Flag
 As above but with stand posts made of galvanised steel tube Ø 178 mm

Order No. 6.03210 Sailing Boat without Flag
 1 Ship with mast and tiller
 3 Stand posts of robinia

Order No. 6.03211 Sailing Boat without Flag
 As above but with stand posts made of galvanised steel tube Ø 178 mm

Installation information

Surfacing requirements corresponding to a fall height of ≤ 1.00 m (please refer to price list for more detailed information)

Foundations
 3 items 80 x 80 x 80 cm
 Excavation depth 100 cm

Attention:
Exact measurements may vary; for all installation dimensions refer to current assembly instructions.
 Technical changes reserved.

Dimensions
 (small deviations possible)

Order No. 6.03200 / 6.03210 with wooden stand posts
 Length 3.50 m
 Width 2.20 m
 Seat height 0.70 m
 Weight approx. 300 kg

Order No. 6.03201 / 6.03211 with hot-dip galvanised stand posts
 Length 3.50 m
 Width 2.20 m
 Seat height 0.70 m
 Weight 275 kg

Technical information

Equipment made of non-impregnated mountain larch / robinia

Peeled white
 Palisades peeled white means that bark, cambium and sapwood are removed, the natural shape of the trunk is preserved and can be experienced



Bevel cut
 Vertical stand posts with bevelled end grain section as constructive wood preservation measure



Core-free
 Sawn-timbers core-free, thus decreasing occurrences of cracking and undesired changes in shape



Tongue and groove
 Tongue and groove planks made of 4 cm solid wood, highly resilient, no trickling of dust / sand, protection against direct rain



Universal joint
 Drop-forged, hot-dip galvanised universal joint, consists of two sintered bushes, for free swinging in any direction



Profiled washer
 Profiled washer for covering protruding screw heads according to standard, improved pressure distribution and protection against water. Impedes loosening the bolt



Adjustable
 Adjustable two-piece bolt connection, easy to maintain, no projecting threads



Sintered bush
 For all reciprocating movements we use sintered plain bearings which are self-lubricating in use and can easily be exchanged if necessary



Chains
 Chains made of hot-dip galvanized steel (1.4301 / 1.4571 at extra charge) welded before galvanising, short-linked, without eyelets on the connecting parts, easy to exchange and shorten



Fittings hot-dip galvanised

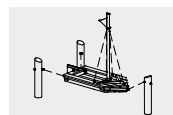
Flag made of weatherproof PVC fabric

Order No. 6.03201 / 6.03211
 with hot-dip galvanised stand posts

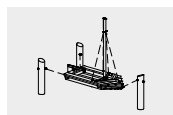
Ground anchor
 All parts used for anchoring to the ground are made of hot-dip galvanised steel or stainless steel



For more detailed explanation of the quality characteristics see price list.



6.03200 / 6.03201



6.03210 / 6.03211