



Special colour, Photo © Paul Upward

Play value

Swinging and rocking are typical movements in the childhood. Children are looking for possibilities to experience this swinging movement. Lying in the Cradle Nest is even more pleasant when a friendly co-player sets the swing into motion from outside. It is special fun if there are several "chicks" in the nest. Our special version with a cross beam made of steel contributes to the stability of our construction and gives a strong expression.

Fundamental characteristics

- Emotionally appealing design
- Sturdy construction of round poles
- Incentive for playing: lying oneself in a nest
- Movement: swaying, rocking, swinging

Recommended for

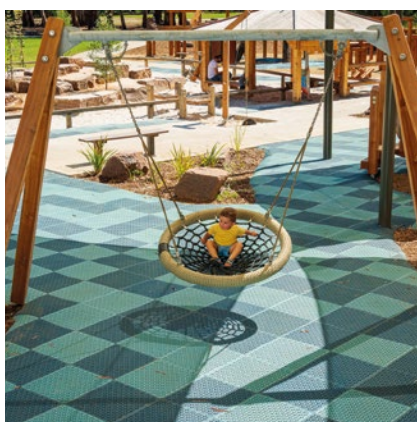
- Kindergarten children
- Supervised play areas, such as kindergartens, schools, after-school programmes or similar
- Public play areas without supervision, such as playgrounds, parks or similar

Barrier-free

- Special exercise experience
- Together with a carer



Swallow's Cradle Nest special



Special colour, Photo © Tristan Filippone

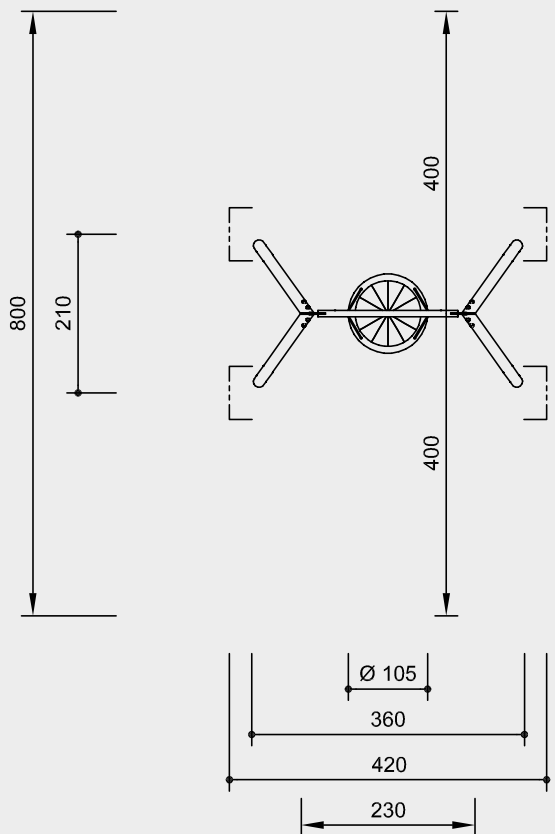
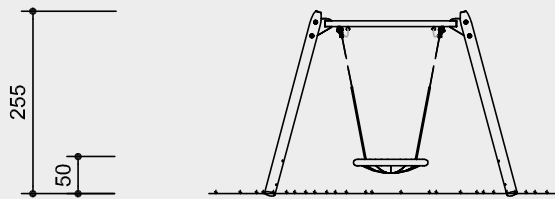
© Richter Spielgeräte GmbH 10/22



6.14720

Order No. 6.14720
Swallow's Cradle Nest special

Safety distance 
 Device dimensions 
 Functional distance 



Scale 1:100

Safety check according to DIN EN 1176

Components

- 1 Swing frame with steel feet and cross beam made of steel
- 1 Swallow's nest suspended on ropes and chains

Installation information

Surfacing requirements corresponding to a fall height of ≤ 1.50 m (please refer to price list for more detailed information)

Foundations
 4 items 60 x 70 x 60 cm
 Excavation depth 80 cm

Attention!
Exact measurements may vary;
for all installation dimensions refer to current assembly instructions.
 Technical changes reserved.

Technical information

Equipment made of non-impregnated mountain larch

Peeled white

Palisades peeled white means that bark, cambium and sapwood are removed, the natural shape of the trunk is preserved and can be experienced



Universal joint

Drop-forged, hot-dip galvanised universal joint, consists of two sintered bushes, for free swinging in any direction



Profiled washer

Profiled washer for covering protruding screw heads according to standard, improved pressure distribution and protection against water. Impedes loosening the bolt



Interlocking

Interlocking connection, with milled metal rings or serrated disc dowels, to reinforce the bolt connection under high loads transverse to the grain direction of the wood



Sintered bush

For all reciprocating movements we use sintered plain bearings which are self-lubricating in use and can easily be exchanged if necessary



Ground anchor

All parts used for anchoring to the ground are made of hot-dip galvanised steel or stainless steel



Cross beam made of steel

Swing cross beam made of hot-dip galvanized steel. Optimized swing geometry with rigid corner connections, thus allowing for smaller foundations and easier foundation covering



Stainless Chains

Chains made of steel with high corrosion resistance. Short-linked, without eyelets on the connecting parts, easily replaceable and simple shortening



For more detailed explanation of the quality characteristics see price list.

Swallow's nest Ø 105 cm with olive green rope ring (PPM), net seat and suspension rope black Ø 16 mm (polyester)

Suspended on Ø 7 mm stainless steel chains

Dimensions

(small deviations possible)

Height	2.55 m
Vertical clearance	2.40 m
Length	3.60 m
Width	2.10 m
Weight	240 kg

