

Play value

The flat metal plate with the fixed approach ramps and a moving part, for turning, require no foundations. They are light enough to move with a trailer but heavy enough so that they cannot be moved by vandals. Their stability also allows wheelchair users and people with cycles and mopeds to drive on and over them. The ground plates of metal are a discreet but effective play item for pedestrian areas, schoolyards and playgrounds, and stimulate active play.

Fundamental characteristics

- Unique and original
- Offer for active play with integrative character
- Also suitable for wheelchair users
- Incentive for playing: surprising element on the ground
- Movement: turning, rocking

Recommended for

- Kindergarten children
- School children
- Only suitable for supervised play areas

Barrier-free

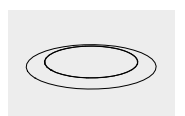
- Special exercise experience
- With a carer

Note


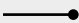
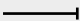
An adequate surface design helps to avoid passers-by stepping on the plates unintentionally and thus improves safety.

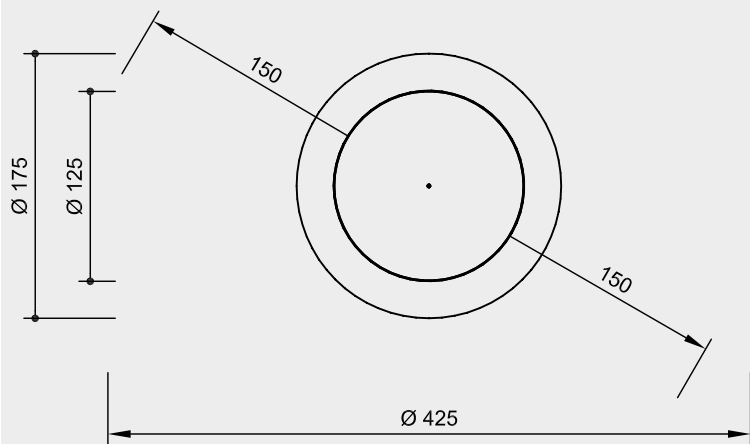


Rotating Plate



Order No. 6.32000
Rotating Plate

Safety distance 
 Device dimensions 
 Functional distance 



Scale 1:50

Safety check according to DIN EN 1176

Components

- 1 Rotating Plate

Installation information

Surfacing requirements corresponding to a fall height of $\leq 0,60$ m (please refer to price list for more detailed information)

Foundations
 no foundations necessary

Attention:
Exact measurements may vary;
for all installation dimensions refer to current assembly instructions.
 Technical changes reserved.

Technical information

Steel construction, hot-dip galvanised, padded underneath with vulcanised foam rubber to reduce sound level

Roller bearings

High-quality roller bearings made of chrome steel or stainless steel for rotating elements, easy to maintain and exchange, sealed

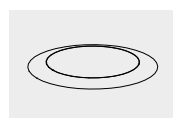


For more detailed explanation of the quality characteristics see price list.

Dimensions

(small deviations possible)

Height	0.09 m
Diameter	1.75 m
Diameter of turning disc	1.25 m
Weight	220 kg



6.32000