



Order No. 6.81000 Straight Balancing Beam



Order No. 6.51501 Rotating Beam with steel posts

**Play value**

The Rotating Beam is balancing equipment with a higher degree of difficulty, which requires strong, swift physical movement in order to retain balance. It stimulates children to play competitively and in groups. A 5-m-long horizontal balancing beam with rotating ends is fixed about 30 cm above the ground to supporting wooden posts. The Rotating Beam is also interesting equipment when installed alongside paths.

The Balancing Beam is a piece of gymnastic equipment that promotes body awareness and balance and above all also allows small children to experience a sense of achievement without any danger.

**Fundamental characteristics**

- The bearings of the beam are fitted eccentrically in order to prevent the beam from rotating too quickly. The length of the beam ensures this effect
- Incentive for playing: due to its position, almost as if by chance
- Movement: balance, body coordination

**Recommended for**

- Kindergarten children
- School children
- Young people
- Supervised play areas, such as kindergartens, schools, after-school programmes or similar
- Public play areas without supervision, such as playgrounds, parks or similar
- Swimming pools without supervision, such as outdoor pools, adventure pools or similar

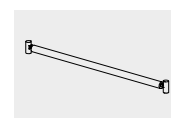


Order No. 6.81000 Straight Balancing Beam, Photo © Lucia Bartl

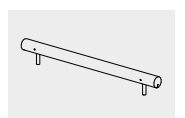


Order No. 6.51500 Rotating Beam

**Rotating Beam  
Straight Balancing Beam**



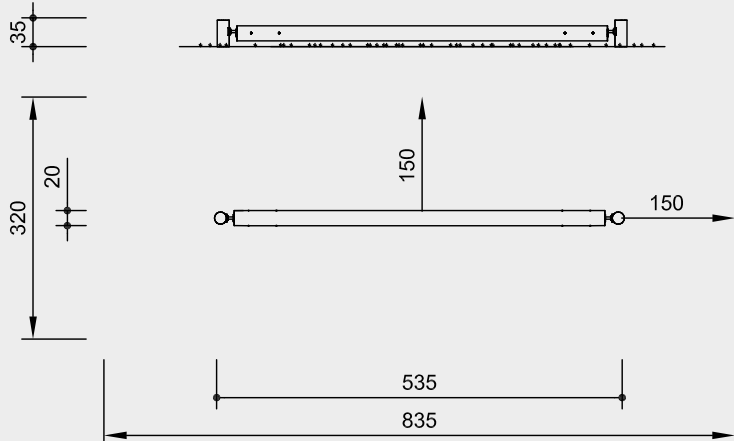
6.51500



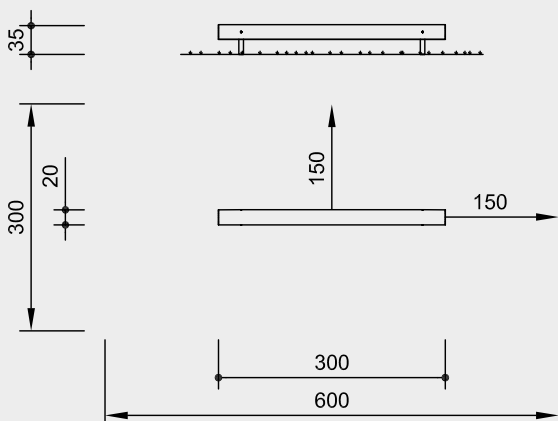
6.81000

**Order No. 6.51500**  
**Rotating Beam**

Safety distance   
Device dimensions   
Functional distance 



**Order No. 6.81000**  
**Straight Balancing Beam**



Scale 1:100

Safety check according to DIN EN 1176

**Components**

**Order No. 6.51500**  
**Rotating Beam**

- 1 Rotating beam
- 2 Stand posts made of robinia

**Order No. 6.81000**  
**Straight Balancing Beam**

- 1 Balancing beam
- 2 Hot-dip galvanised steel feet

**Installation information**

Surfacing requirements corresponding to a fall height of  $\leq 0.60$  m (please refer to price list for more detailed information)

**Foundations**

**Order No. 6.51500**

**Rotating Beam**  
2 items 60 x 60 x 60 cm  
Excavation depth 80 cm

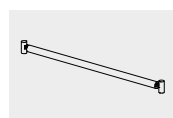
**Order No. 6.81000**

**Straight Balancing Beam**  
2 items 50 x 50 x 40 cm  
Excavation depth 60 cm

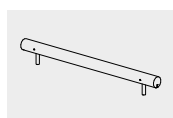
**Attention:**

**Exact measurements may vary; for all installation dimensions refer to current assembly instructions.**  
Technical changes reserved.

**The stand posts of the rotating beams are also available made of galvanised steel (Order No. 6.51501).**



6.51500



6.81000

**Technical information**

Equipment made of non-impregnated mountain larch

**Order No. 6.51500**  
**Rotating Beam**

Stand posts made of robinia

**Peeled white**

Palisades peeled white means that bark, cambium and sapwood are removed, the natural shape of the trunk is preserved and can be experienced



**Relief cut**

Targeted relief cut as an effective measure against cracks caused by drying. The cut defines the position of the stress equalization in the trunk and minimises natural cracking



**Roller bearings**

High-quality roller bearings made of chrome steel or stainless steel for rotating elements, easy to maintain and exchange, sealed



**Order No. 6.81000**  
**Straight Balancing Beam**

**Peeled white**

Palisades peeled white means that bark, cambium and sapwood are removed, the natural shape of the trunk is preserved and can be experienced



**Ground anchor**

All parts used for anchoring to the ground are made of hot-dip galvanised steel or stainless steel



**Relief cut**

Targeted relief cut as an effective measure against cracks caused by drying. The cut defines the position of the stress equalization in the trunk and minimises natural cracking



**For more detailed explanation of the quality characteristics see price list.**

**Dimensions**

(small deviations possible)

**Order No. 6.51500**  
**Rotating Beam**

Height	0.35 m
Length	5.35 m
Length of beam	4.90 m
Diameter	0.20 m
Weight	150 kg

**Order No. 6.81000**  
**Straight Balancing Beam**

Height	0.35 m
Length of beam	3.00 m
Diameter	0.20 m
Weight	60 kg