

**Play value**

The Bubble House's filigree look alone is inspiring. Thanks to its suspension, the Bubble House seems to float in the air. Chilling and sitting in it is especially relaxing because of the possibility of gentle movements.

**Fundamental characteristics**

- Impressive design statement
- Very special appeal
- Eye-catcher of a play area attractive meeting point
- Incentive for playing: curiosity, discover
- Movement: climbing up, sitting

**Recommended for**

- Kindergarten children
- School children
- Young people
- Supervised play areas, such as schools, after-school programmes or similar



Order No. 8.00100 Bubble House 01

**Bubble House**



Order No. 8.00100 Bubble House 01

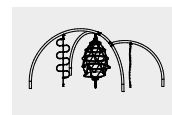
**Components**

**Order No. 8.00100**

- 1 Stand frame with 3 pipe bends
- 1 Bubble House
- 1 Climbing ladder
- 1 Climbing rope

**Order No. 8.00200**

- 1 Stand frame with 2 pipe bends
- 1 Bubble House
- 1 Climbing ladder

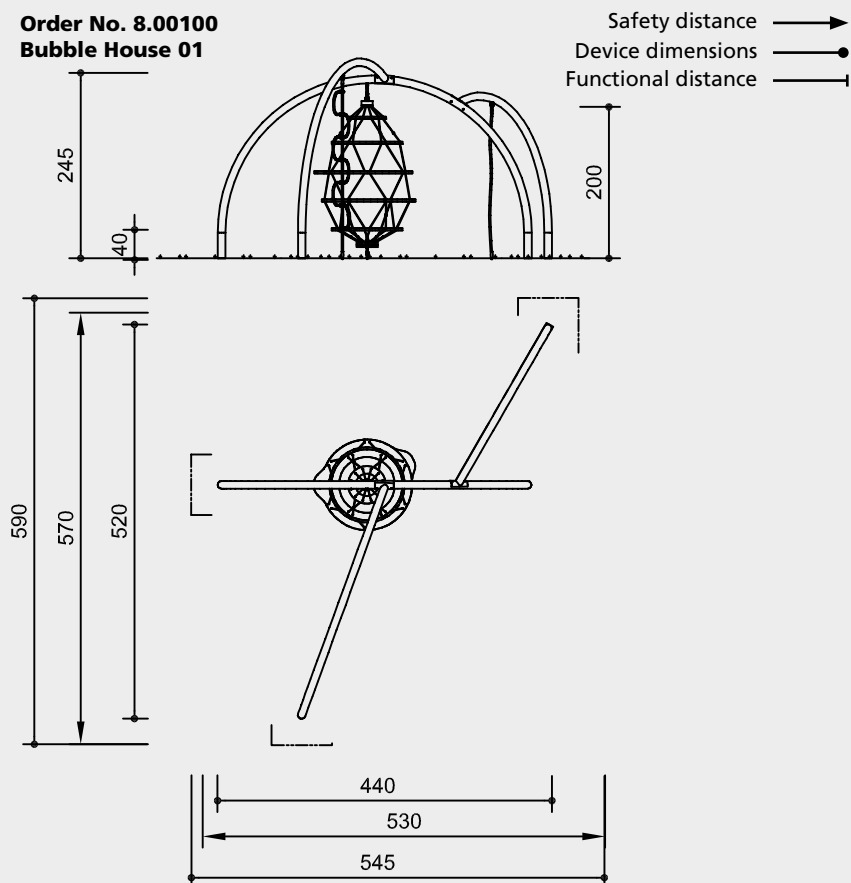


**8.00100**

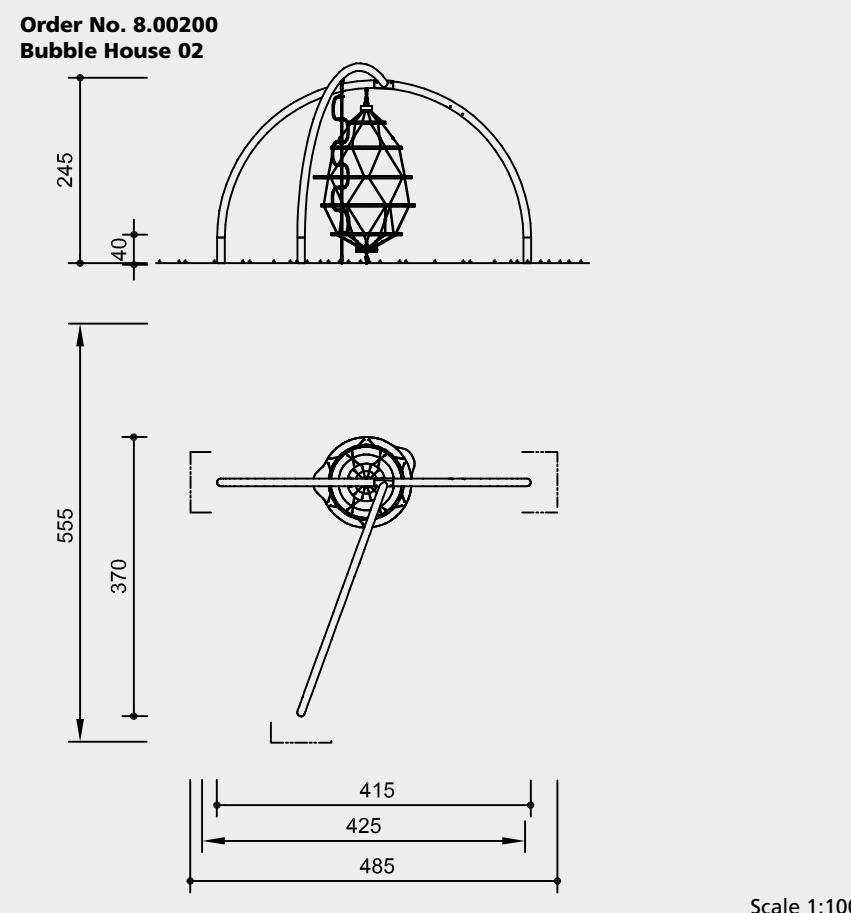


**8.00200**

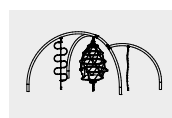
**Order No. 8.00100**  
**Bubble House 01**



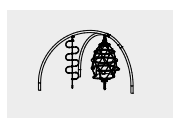
**Order No. 8.00200**  
**Bubble House 02**



Safety check according to DIN EN 1176



8.00100



8.00200

**Attention:**  
Exact measurements may vary;  
for all installation dimensions refer  
to current assembly instructions.  
Technical changes reserved.

**Technical information**

Frame elements made of waterproof plywood 30 mm, with anti-slip coating  
Pipe bends made of stainless steel

**Richter Hercules type rope**

Richter Hercules type rope, a combination of galvanised six-strand steel cables and polyester yarn, diameter > 20 mm, laid and glued with very good abrasion resistance, strong sheathing even in the case of damage by puncturing



**Rope connection with joint**

Close-fitting connection with joint, without dangerous openings, with sintered bush and adjustable screw connection



**Sintered bush**

For all reciprocating movements we use sintered plain bearings which are self-lubricating in use and can easily be exchanged if necessary



**Ground anchor**

All parts used for anchoring to the ground are made of hot-dip galvanised steel or stainless steel



**Chains**

Chains made of hot-dip galvanized steel (1.4301 / 1.4571 at extra charge) welded before galvanising, short-linked, without eyelets on the connecting parts, easy to exchange and shorten



**For more detailed explanation of the quality characteristics see price list.**

for the sleeve we use a hercules spiral rope, 1 strand, a combination of steel rope and polyester yarn, abrasion-protected  
All parts used for anchoring to the ground are made of stainless steel for dowelling  
Rope fastening with fittings made of stainless steel or hot-dip galvanised Rotatable suspension

**Dimensions**

(small deviations possible)

**Order No. 8.00100 / 8.00200**

Length	5.20 / 3.70 m
Width	4.40 / 4.15 m
Height	2.45 / 2.45 m
Weight total	240 / 190 kg

**Installation information**

Surfacing requirements corresponding to a fall height of ≤ 2.00 m (please refer to price list for more detailed information)

**Foundations**

**Order No. 8.00100**

- 4 items 80 x 80 x 40 cm
- Excavation depth 80 cm
- 2 items 30 x 30 x 30
- Excavation depth 50 cm
- 1 item 50 x 50 x 30
- Excavation depth 50 cm

**Order No. 8.00200**

- 3 items 80 x 80 x 40 cm
- Excavation depth 80 cm
- 1 item 30 x 30 x 30
- Excavation depth 50 cm
- 1 item 50 x 50 x 30
- Excavation depth 50 cm