

Play value

The appealing, open construction of our Small Two-Master with its lovingly realistic details simply invites children to play joint role-play games. The lean bow with bridge and portholes can be climbed while in the nave there are bridges, a rotating steering wheel and masks with flags – it's just like setting sail on the high seas. The stern can be conquered by big and little pirates via a suspension bridge or a climbing net. The next adventure can be planned at the round table with four stools under the platform in the cutter.



© Richter Spielgeräte GmbH 06/22

Small Two-Master

Fundamental characteristics

- Child-oriented dimensions
- Natural wooden surface appeals to the senses
- Emotionally appealing design
- Friendly appearance
- Incentive for playing: role-playing games
- Movement: climbing

Recommended for

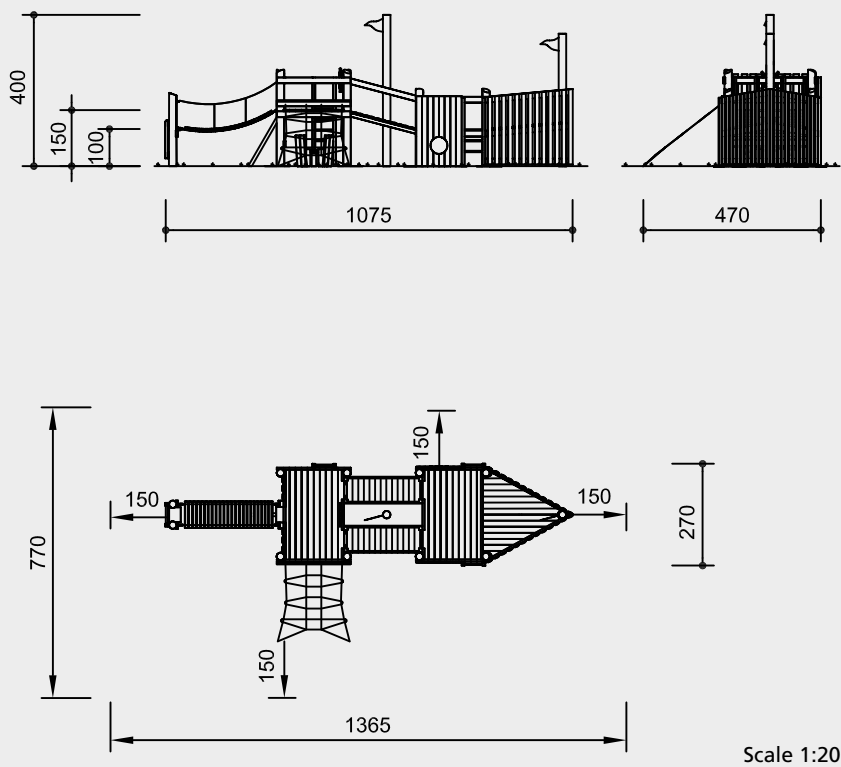
- Kindergarten children
- School children
- Public play areas without supervision, such as playgrounds, parks or similar



8.02030

Order No. 8.02030
Small Two-Master

Safety distance →
Device dimensions ●
Functional distance —



Safety check according to DIN EN 1176

Components

- 1 Bow with floor, 2 side panels and steel feet
- 1 Platform, height 1.00 m with 2 floor elements, handrails, 2 side panels and steel feet
- 2 Rigid bridges, length 2 m with wooden handrails
- 1 Platform as stern, height 1.50 m with 2 floor elements and handrails
- 1 Suspension bridge, length 3 m with chain handrails
- 1 End frame with ladder and steel feet
- 1 Inclined climbing net
- 2 Masts with steel feet and flag made of corrugated stainless steel sheet metal, thickness 2 mm, not rotateable
- 1 Round table with steel foot
- 4 Stools with back

Installation information

Surfacing requirements: corresponding to a fall height of ≤ 1.50 m (please refer to price list for more detailed information)

Foundations

Platforms
8 items 60 x 60 x 60 cm
Excavation depth 80 cm

Masts
2 item 60 x 60 x 60 cm
Excavation depth 80 cm

End frame for suspension bridge

1 item 125 x 120 x 60 cm
Excavation depth 80 cm

Metal strut
1 item 60 x 60 x 40 cm
Excavation depth 60 cm

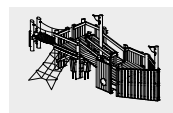
Inclined climbing net
2 items 50 x 50 x 40 cm
Excavation depth 80 cm

Round table
1 item 40 x 40 x 40 cm
Excavation depth 60 cm

Attention:
Exact measurements may vary; for all installation dimensions refer to current installation instructions.
Technical changes reserved.

Dimensions
(small deviations possible)

Height	4.00 m
Length	10.75 m
Width incl. net	4.70 m
Weight	2000 kg



8.02030

Technical information

Equipment made of mountain larch

Peeled white

Palisades peeled white means that bark, cambium and sapwood are removed, the natural shape of the trunk is preserved and can be experienced



Bevel cut

Vertical stand posts with bevelled end grain section as constructive wood preservation measure



Core-free

Sawn-timbers core-free, thus decreasing occurrences of cracking and undesired changes in shape



Claddings

Claddings made of mountain larch (4 – 5 cm). Peeled white by hand, natural tree surface remains tangible and perceptible



Tongue and groove

Tongue and groove planks made of 4 cm solid wood, highly resilient, no trickling of dust / sand, protection against direct rain



Hardwood rungs

Climbing rungs made of hardwood (ash) Ø 4.2 cm, milled and mortised, secured against twisting, easy to grip and not cold for children to touch



Richter Hercules type rope

Richter Hercules type rope, a combination of galvanised six-strand steel cables and polyester yarn, diameter > 20 mm, laid and glued with very good abrasion resistance, strong sheathing even in the case of damage by puncturing



Aluminium rope pressing

Aluminium rope pressing, cylindrically pressed, with rounded ends



S-connectors

S-connectors Ø 8.1 mm, made of high-quality stainless steel, rounded



Rope connection with joint

Close-fitting connection with joint, without dangerous openings, with sintered bush and adjustable screw connection



Profiled washer

Profiled washer for covering protruding screw heads according to standard, improved pressure distribution and protection against water. Impedes loosening the bolt



Adjustable

Adjustable two-piece bolt connection, easy to maintain, no projecting threads



Sintered bush

For all reciprocating movements we use sintered plain bearings which are self-lubricating in use and can easily be exchanged if necessary



Ground anchor

All parts used for anchoring to the ground are made of hot-dip galvanised steel or stainless steel



For more detailed explanation of the quality characteristics see price list.