



Play Value

„Four in a row“ promotes logical thinking and strategic acting. It is played on a vertical, hollow playing field where the players can take turns to move their playing tokens but cannot remove them. The playing field consists of seven vertical columns and six horizontal rows. Each player has 21 playing tokens of the same colour. The player drops a playing token into a column, where it occupies the lowest available free space in the column. The player who first manages to line up at least four of their tokens horizontally, vertically or diagonally is the winner. If the playing field is completely filled in without either of the players managing to create a row of four, the game is called a draw.

Fundamental characteristics

- Attractive design
- Incentive for playing: known activities

Recommended for

- Kindergarten children
- School children
- Young people
- Adults
- Older people
- Supervised play areas, such as kindergartens, schools, after- school programmes or similar
- Public play areas without supervision, such as playgrounds, parks or similar

Barrier-free

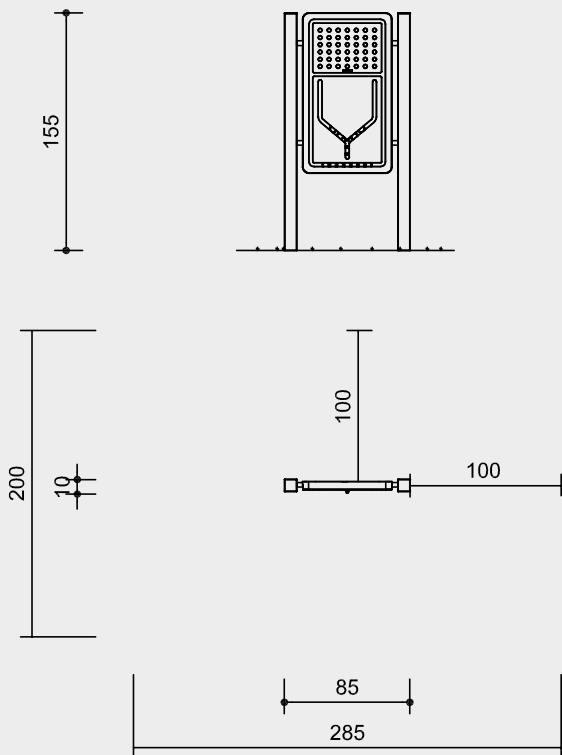
- Independent play

Four in a row



Order No. 9.15000
Four in a row

Safety distance 
 Device dimensions 
 Functional distance 



Scale 1:50

Safety check according to DIN EN 1176

Components

- 1 Outer frame with playing field and magazine with 21 playing tokens of each colour, incl. 4 heavy-duty anchors

Utility Model

20 2012 012 518.4 Germany

Registered Design

40 2020 202 223.7 Germany

Installation information

Surfacing requirements
 no requirements

Foundations
 2 items 50 x 50 x 40 cm
 Excavation depth 60 cm

Attention:

Exact measurements may vary, for all installation dimensions refer to current assembly instructions.

Technical changes reserved.

Technical information

Equipment made of matt, glass-bead blasted stainless steel (V2A)

Ground anchor

All parts used for anchoring to the ground are made of hot-dip galvanised steel or stainless steel



For more detailed explanation of the quality characteristics see price list.

Playing field made of black coloured-through castor oil-based PUR plastic

Red and blue playing tokens

Dimensions

(small deviations possible)

Height	1.55 m
Width	0.85 m
Depth	0.10 m
Playfield	1.00 x 0.60 m
Stand posts	80 x 80 mm
Weight	80 kg



9.15000