



Order No. L3.26300 Square platform Height 1.50 m



Order No. K3.26500 Square platform with square timber, Height 2.00 m

Play value

The Platform is well suited as centre of a small play installation. Through the versatile attachment offers, above all attractive activity equipment such as slide, inclined wall, climbing net or firemen's pole, many children can play at the sametime; this is important, for instance, on school playgrounds. The Platform is also available with roof.

Fundamental characteristics

- Versatile activity offers
- Sturdy meeting point
- Incentive for playing: climbing up, enjoying the view
- Movement: climbing

Recommended for

- Kindergarten children (only for platform 1.00 m)
- School children
- Supervised play areas, such as kindergartens, schools after-school programmes or similar
- Public play areas without supervision, such as playgrounds, parks or similar



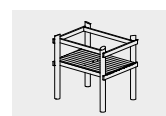
Order No. L3.26500 Square platform, Height 2.00 m

Platforms for combination

Square platform



L3.26101



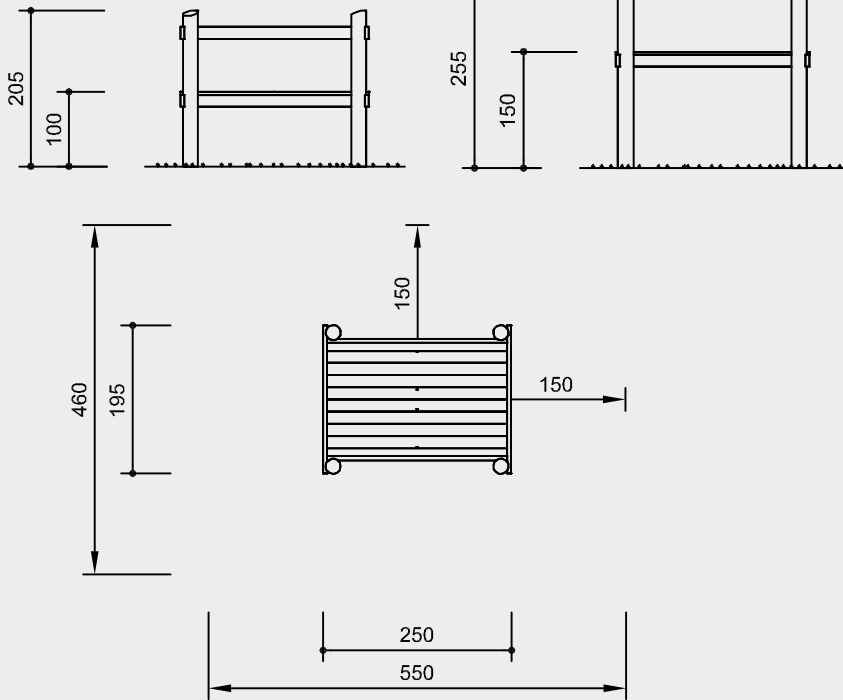
L3.26300



L3.26500

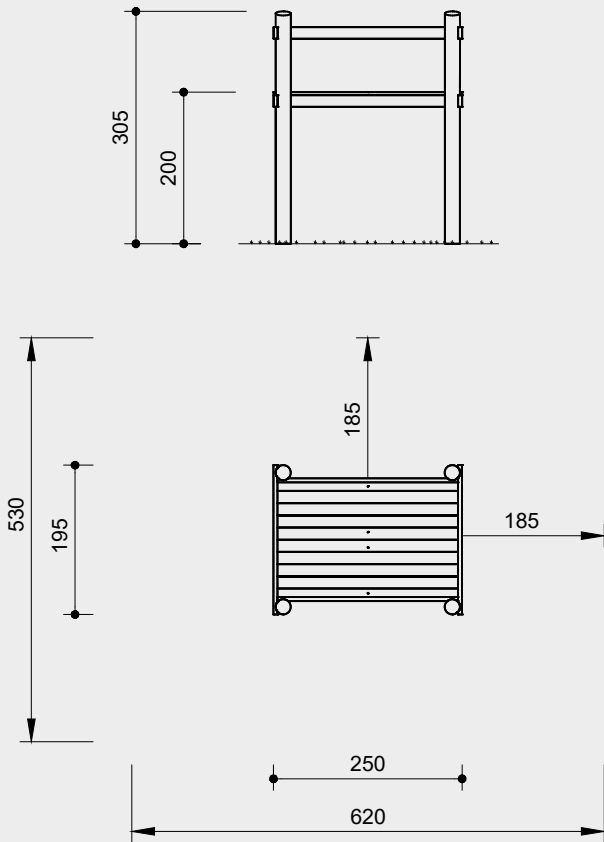
Order No. L3.26101
Square platform
 Height 1.00 m

Order No. L3.26300
Square platform
 Height 1.50 m



Order No. L3.26500
Square platform
 Height 2.00 m

Safety distance ———→
 Device dimensions - - - - -
 Functional distance ———|

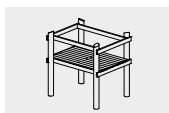


Scale 1:100

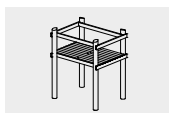
Safety check according to DIN EN 1176



L3.26101



L3.26300



L3.26500

Technical information

Equipment made of non-impregnated mountain larch

Peeled white

Palisades peeled white means that bark, cambium and sapwood are removed, the natural shape of the trunk is preserved and can be experienced



Bevel cut

Vertical stand posts with bevelled end grain section as constructive wood preservation measure



Core-free

Sawn-timbers core-free, thus decreasing occurrences of cracking and undesired changes in shape



Tongue and groove

Tongue and groove planks made of 4 cm solid wood, highly resilient, no trickling of dust / sand, protection against direct rain



Ground anchor

All parts used for anchoring to the ground are made of hot-dip galvanised steel or stainless steel



For more detailed explanation of the quality characteristics see price list.

Dimensions

(small deviations possible)

Order No. L3.26101

Height	2.05 m
Floor height	1.00 m
Floor size	1.60 x 2.50 m
Exterior dimension	1.95 x 2.50 m
Weight	270 kg

Order No. L3.26300

Height	2.55 m
Floor height	1.50 m
Floor size	1.60 x 2.50 m
Exterior dimension	1.95 x 2.50 m
Weight	320 kg

Order No. L3.26500

Height	3.05 m
Floor height	2.00 m
Floor size	1.60 x 2.50 m
Exterior dimension	1.95 x 2.50 m
Weight	370 kg

Components

1 Platform complete with 2 floor elements, guardrails and steel feet

Installation information

Surfacing requirements determined by floor height (please refer to price list for more detailed information)

Foundations
 4 items 60 x 60 x 60 cm
 Excavation depth 80 cm

Attention:

Exact measurements may vary; for all installation dimensions refer to current assembly instructions.

Technical changes reserved.