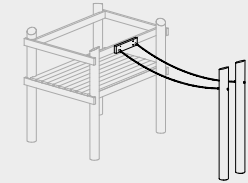
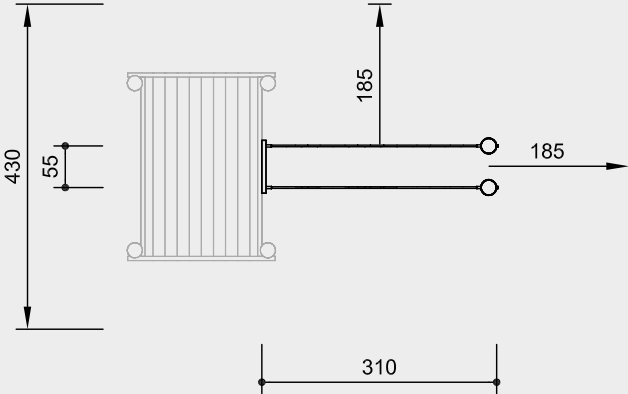


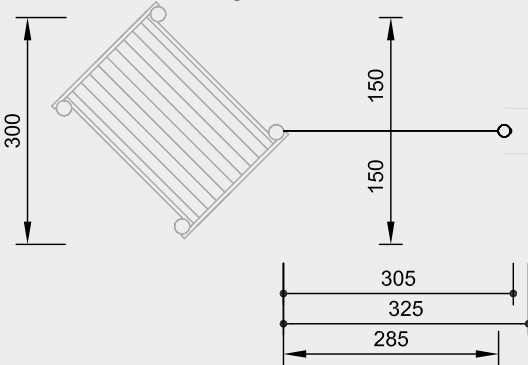
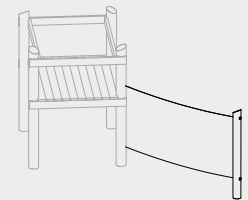
Order No. L3.68510
Double Hanging Rope
 for attachment to Platform



Safety distance
 Device dimensions
 Functional distance



Order No. L3.69010
Balancing Rope with Holding Rope
 for attachment to Platform



Scale 1:100

Safety check according to DIN EN 1176

Components

Order No. L3.68510
Double Hanging Rope
 2 Stand posts with steel feet
 2 Ropes

Order No. L3.69010
Balancing Rope with Holding Rope
 1 Stand post with steel foot
 2 Ropes

Installation information

Surfacing requirements corresponding to a fall height of
Order No. L3.68510 ≤ 2.00 m
Order No. L3.69010 ≤ 0.60 m
 (please refer to price list for more detailed information)

Foundations
Order No. L3.68510
Double Hanging Rope
 1 item 60 x 110 x 60 cm
 Excavation depth 80 cm
Order No. L3.69010
Balancing Rope with Holding Rope
 1 item 60 x 60 x 60 cm
 Excavation depth 80 cm

Attention:
Exact measurements may vary; for all installation dimensions refer to current assembly instructions.
 Technical changes reserved..

Technical information

Equipment made of non-impregnated mountain larch

Peeled white
 Palisades peeled white means that bark, cambium and sapwood are removed, the natural shape of the trunk is preserved and can be experienced



Bevel cut
 Vertical stand posts with bevelled end grain section as constructive wood preservation measure



Richter Hercules type rope
 Richter Hercules type rope, a combination of galvanised six-strand steel cables and polyester yarn, diameter > 20 mm, laid and glued with very good abrasion resistance, strong sheathing even in the case of damage by puncturing



Aluminium rope pressing
 Aluminium rope pressing, cylindrically pressed, with rounded ends



Rope connection fixed
 Fixed rope connection without dangerous openings. Screw connection adjustable and countersunk in the wood



Ground anchor
 All parts used for anchoring to the ground are made of hot-dip galvanised steel or stainless steel

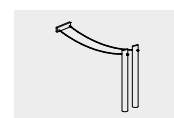


For more detailed explanation of the quality characteristics see price list.

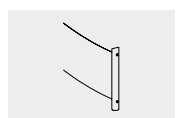
Dimensions
 (small deviations possible)

Order No. L3.68510	
Double Hanging Rope	
Height of rope	2.00 m
Length	3.10 m
Width	0.55 m
Weight	90 kg

Order No. L3.69010	
Balancing Rope with Holding Rope	
Height of balancing rope	0.40 m
Height of holding rope	1.40 m
Length	3.05 m
Weight	50 kg



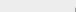


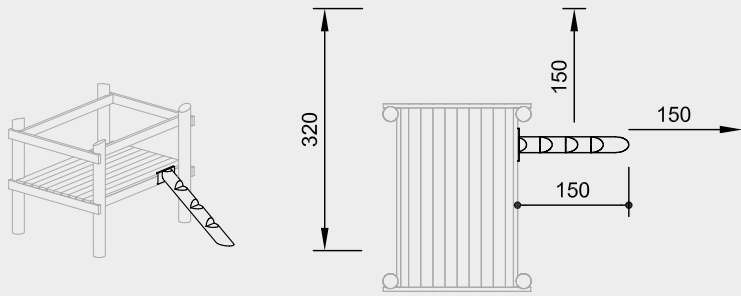
L3.68510



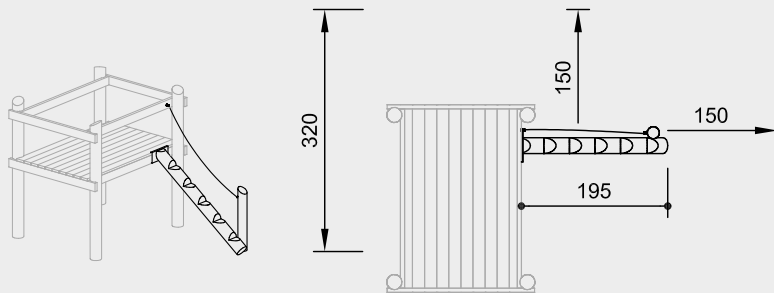
L3.69010

Order No. 3.69502
Climbing Trunk
 for attachment to Platform 1.00 m

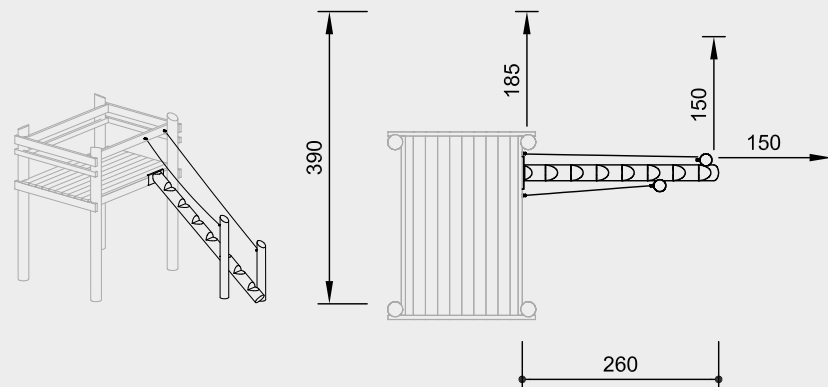
Safety distance 
 Device dimensions 
 Functional distance 



Order No. 3.69511
Climbing Trunk with handrail on one side
 for attachment to Platform 1.50 m

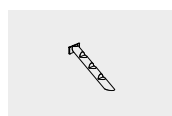


Order No. 3.69521
Climbing Trunk with double-sided handrail
 for attachment to Platform 2.00 m

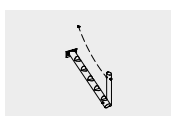


Scale 1:100

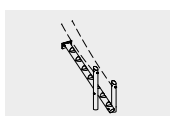
Safety check according to DIN EN 1176



3.69502



3.69511



3.69521

Technical information

Equipment made of non-impregnated mountain larch

Peeled white

Palisades peeled white means that bark, cambium and sapwood are removed, the natural shape of the trunk is preserved and can be experienced



Bevel cut

Vertical stand posts with bevelled end grain section as constructive wood preservation measure



Ground anchor

All parts used for anchoring to the ground are made of hot-dip galvanised steel or stainless steel



Chains

Chains made of hot-dip galvanized steel (1.4301 / 1.4571 at extra charge) welded before galvanising, short-linked, without eyelets on the connecting parts, easy to exchange and shorten



For more detailed explanation of the quality characteristics see price list.

Dimensions

(small deviations possible)

Order No. 3.69502	
Length	1.75 m
Weight	50 kg
Order No. 3.69511	
Length	2.35 m
Weight	100 kg
Order No. 3.69521	
Length	3.15 m
Weight	140 kg

Components

Order No. 3.69502
 1 Climbing trunk with steel foot

Order No. 3.69511
 1 Climbing trunk
 1 Stand post with steel foot and chain handrail

Order No. 3.69521
 1 Climbing trunk
 2 Stand posts with steel feet and chain handrails

Installation information

Surfacing requirements corresponding to a fall height determined by installation height (please refer to price list for more detailed information)

Foundations

Order No. 3.69502
 1 item 40 x 40 x 20 cm
 Excavation depth 40 cm

Order No. 3.69511
 1 item 60 x 60 x 60 cm
 Excavation depth 80 cm

Order No. 3.69521
 2 items 60 x 60 x 60 cm
 Excavation depth 80 cm

Attention:

Exact measurements may vary; for all installation dimensions refer to current assembly instructions.

Technical changes reserved.