

Instructions for wear checks of play equipment

The equipment must be checked for correct operation and safety, especially the points listed below:

Proof of maintenance

Location

Date of installation

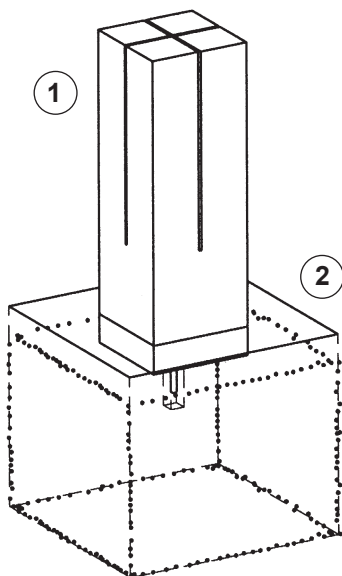
Checks depend on the type of equipment. Any equipment with moving parts must be checked at least twice a year, static equipment at least once a year.

Intervals for maintenance work and checks generally depend on

- location
- kind of use
- frequency of use
- possible vandalism

For more details see also "General instructions for maintenance of playgrounds".

Tuning Stone
Order No. 10.44000



Cleaning

1. Clean the stone surface with water and soap using a sponge.

Structural stability

2. Check anchoring to the ground once a year.

Special notes, e. g. for repairs

Repair not carried out, it is still possible to play on equipment

Repair not carried out, equipment is taken out of action

All work carried out, everything is in order

Maintenance carried out by:

..... Date

En-EN 31.03.2015

DESIGN: W. GRAUBNER · COPYRIGHT © RICHTER SPIELGERÄTE GMBH