

# Instructions for wear checks of play equipment

The equipment must be checked for correct operation and safety, especially the points listed below:

Proof of maintenance

Playground.....

Date of installation .....

Checks depend on the type of equipment. Any equipment with moving parts must be checked at least twice a year, static equipment at least once a year.

Intervals for maintenance work and checks generally depend on

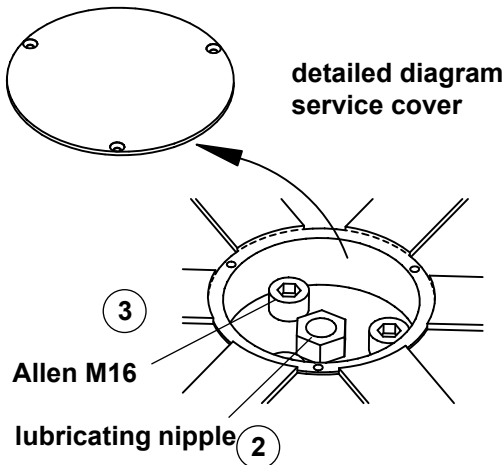
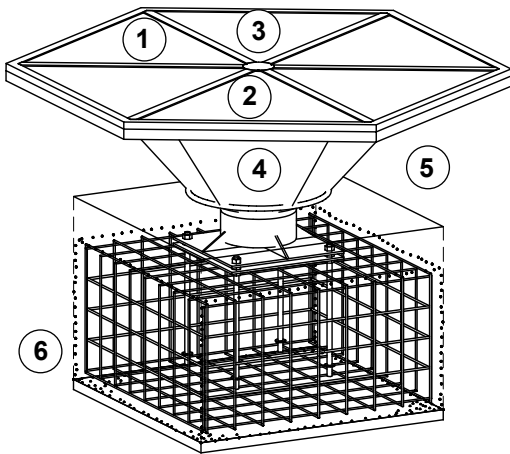
- the location
- the usage
- the frequency of use
- possible vandalism

For more details see also "General instructions for maintenance of playgrounds".

## Large Balancing Disc

Order No. 10.73200 Ø 2,40 m

Order No. 10.73300 Ø 3,40 m



### Wooden parts

1. Check the surface sealing, if necessary, treat damaged areas with wood protection wax ([www.complex-farben.eu](http://www.complex-farben.eu)).

### Mechanical parts

2. Check that the equipment rocks freely without squeaking noises or noise from the bearing, or similar. Remove service cover in order to grease the bearing, if required.
3. Check that fastening bolts (Allen M16) underneath the service cover are tight, secure using a high-strength thread locker (Loctite 2701) if necessary.
4. Check the condition of the crush protection and dish, there should not be any objects between them; if necessary, retighten the screws or adjust the crush protection; the gap between the crush protection and dish must not exceed 8 mm.

### Stainless steel

5. Clean with stainless steel polish spray ([www.kim-tec.de](http://www.kim-tec.de)) with a clean cloth, repair damaged areas (stone chips) (danger of injury).

### Structural stability

6. Check the stability of the foundation frame while stationary by rocking on one side and, if necessary, retighten the screws; check fastening parts on the foundation frame for corrosion once a year.

Special notes, e.g. for repairs

Repair not carried out, it is still possible to play on equipment

Repair not carried out, equipment is taken out of action

All work carried out, everything is in order

Maintenance carried out by:

..... Date .....