

Instructions for wear checks of play equipment

The equipment must be checked for correct operation and safety, especially the points listed below:

Proof of maintenance

Playground.....

Date of installation

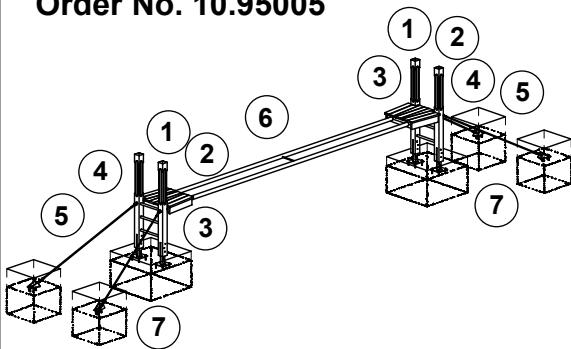
Checks depend on the type of equipment. Any equipment with moving parts must be checked at least twice a year, static equipment at least once a year.

Intervals for maintenance work and checks generally depend on

- the location
- the usage
- the frequency of use
- possible vandalism

For more details see also "General instructions for maintenance of playgrounds".

Balancing Rope
with PP-Rope
Order No. 10.95005



Wooden parts

1. Check for rot and, if necessary, smooth out splinters and round off sharp edges and cracks.
2. Check that all bolts and screws are tight and retighten if necessary.
3. Check the ash wood rungs of the ladders for wear and tear, the remaining diameter must be at least 30 mm.

Tensioning ropes

4. Check connection to wood, if necessary retighten screws/bolts.
5. Check ropes for wear and tear, if the steel reinforcement is damaged it is imperative it be replaced.

PP-rope

6. Check rope for vandalism, replace if necessary.

Structural stability

7. In order to check the steel feet for corrosion, uncover the foundation once a year. Re-tension tensioning ropes, if necessary.

Special notes, e.g. for repairs

Repair not carried out, it is still possible to play on equipment

Repair not carried out, equipment is taken out of action

All work carried out, everything is in order

Maintenance carried out by:

..... Date