

# Instructions for wear checks of play equipment

The equipment must be checked for correct operation and safety, especially the points listed below:

Proof of maintenance

**Playground**.....

**Date of installation** .....

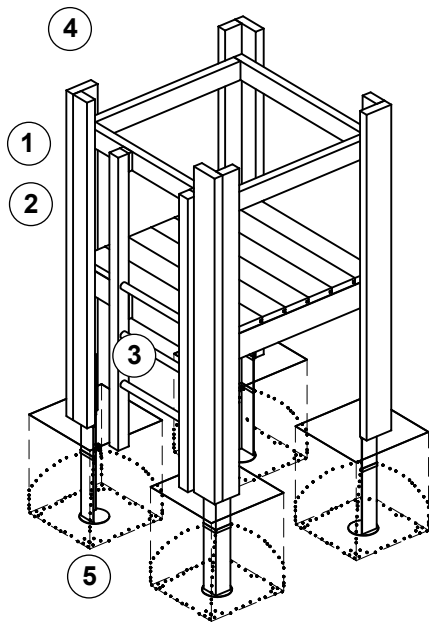
Checks depend on the type of equipment. Any equipment with moving parts must be checked at least twice a year, static equipment at least once a year.

Intervals for maintenance work and checks generally depend on

- the location
- the usage
- the frequency of use
- possible vandalism

For more details see also "General instructions for maintenance of playgrounds".

**Small Platform Hut**  
Order No. 3.14100/3.14150/3.14200



## Wooden parts

1. Check for rot and, if necessary, smooth out splinters and round off sharp edges of cracks.
2. Check that all bolts and screws are tight and retighten if necessary.
3. Check the ash wood rungs of the ladders for wear and tear, the remaining diameter must be at least 30 mm.
4. Recommendation: apply paraffin wax to the upper end grain areas once a year, please refer to Order No. 0.90100, 1 litre.

## Structural stability

5. In order to check the steel feet for corrosion, uncover the foundation once a year.

Special notes, e.g. for repairs

Repair not carried out, it is still possible to play on equipment

Repair not carried out, equipment is taken out of action

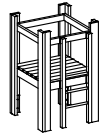
All work carried out, everything is in order

Maintenance carried out by:


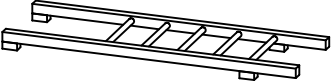

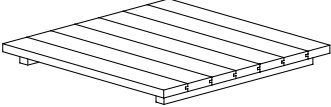
For spare parts refer to back of page.

..... Date .....

**Ersatzteile**  
**Small Platform Hut**  
**Order No. 3.14100/3.14150**  
**3.14200**



Please note that the safety standards of the equipment must not be affected. Therefore, when carrying out repairs it is helpful to **only use original parts**.

Order No.	Spare part
<p>0.98350 ladder rung from 01/2002</p> 	
<p>0.98360 ladder rung from 09/2017</p>	
<p>0.97283 ladder from 2002 to 2017</p> 	
<p>0.97285 ladder from 09/2017</p>	
<p>99.01403 floor board, length 1,10 m, incl. Spax</p> 	
<p>99.01350 floor incl. screws</p> 	
<p>99.01439 floor beam, length 1,05 m, incl. 4 screws</p>	
<p>99.01441 handrail, length 1,05 m, incl. 4 screws</p>	
<p>0.96990 curved sand chute</p>	
<p>0.97075 sand tray</p>	
<p>0.30023 roof cladding larch incl. Spax, length 1,45 m</p> 