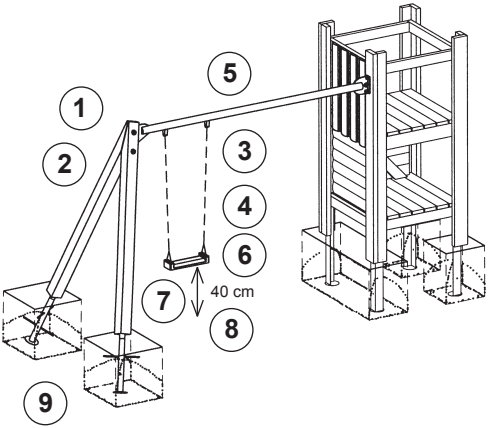
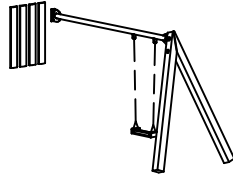
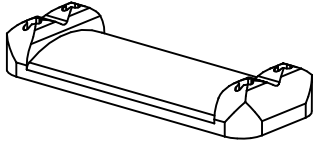
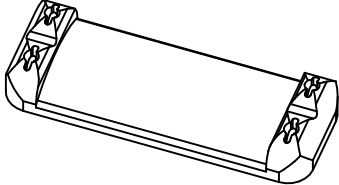
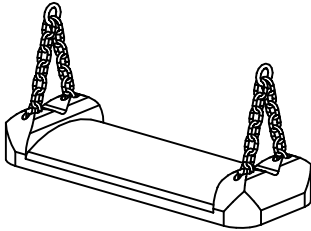

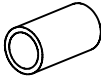
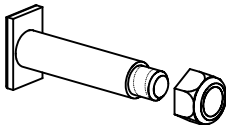


<h2>Instructions for wear checks of play equipment</h2>	<p>The equipment must be checked for correct operation and safety, especially the points listed below:</p>	<p>Proof of maintenance</p>			
<p>Playground</p> <p>Date of installation</p> <p>Checks depend on the type of equipment. Any equipment with moving parts must be checked at least twice a year, static equipment at least once a year.</p> <p>Intervals for maintenance work and checks generally depend on</p> <ul style="list-style-type: none"> - location - kind of use - frequency of use - possible vandalism <p>For more details see also "General instructions for maintenance of playgrounds".</p> <p>Single Swing special Order No. 3.19802</p> 	<div style="border: 1px solid black; padding: 5px; margin-bottom: 10px;">Wooden parts</div> <ol style="list-style-type: none"> 1. Check for rot and, if necessary, smooth out splinters and round off sharp edges of cracks. <input type="checkbox"/> 2. Check all bolts and screws are tight and retighten if necessary. <input type="checkbox"/> <div style="border: 1px solid black; padding: 5px; margin-bottom: 10px;">Swing suspension</div> <ol style="list-style-type: none"> 3. Make sure that the joints move smoothly. <input type="checkbox"/> 4. Make sure that the swivels move smoothly, apply grease if required. <input type="checkbox"/> 5. Check welds of metal cross beam for cracks. <input type="checkbox"/> 6. Check chain and connections to chain, the first chain link must be locked; Check wear on contact surfaces between first and second chain link. <input type="checkbox"/> <div style="border: 1px solid black; padding: 5px; margin-bottom: 10px;">Swing seat</div> <ol style="list-style-type: none"> 7. Replace swing seat if metal parts are exposed. <input type="checkbox"/> 8. Check the swing seat for a minimum ground clearance of at least 40 cm. <input type="checkbox"/> <div style="border: 1px solid black; padding: 5px; margin-bottom: 10px;">Structural stability</div> <ol style="list-style-type: none"> 9. In order to check the steel feet for corrosion, uncover the foundation once a year. <input type="checkbox"/> 	<p style="writing-mode: vertical-rl; transform: rotate(180deg);">Special notes, e.g. for repairs</p>			
	<p>Repair not carried out, it is still possible to play on equipment</p>			<input type="checkbox"/>	
	<p>Repair not carried out, equipment is taken out of action</p>			<input type="checkbox"/>	
	<p>All work carried out, everything is in order</p>			<input type="checkbox"/>	
<p>Maintenance carried out by:</p>	<p>..... Date</p>				
<p>For spare parts refer to back of page.</p>					

Spare Parts
Single Swing special
Order No. 3.19802



Please note that the safety standards of the equipment must not be affected. Therefore, **only original parts** should be used for repair.

Order No.	Spare part	
0.93000	<p>Rubber Swing Seat</p> 	
0.93010	<p>Rubber Swing Seat with 4 eyelet bolts</p> 	
0.93020	<p>Rubber Swing Seat with 4 short V-chains</p> 	
0.93090	<p>U-shackle with swivel</p> 	
0.88150	<p>Brass Bush for Swing Joint</p> 	
0.20010	<p>Stainless Steel Machine Bolt, M8x55 with locking nut</p> 	
0.20020	<p>Stainless Steel Machine Bolt, M8x28 with locking nut</p> 