

# Instructions for wear checks of play equipment

The equipment must be checked for correct operation and safety, especially the points listed below:

Proof of maintenance

Playground.....

Date of installation .....

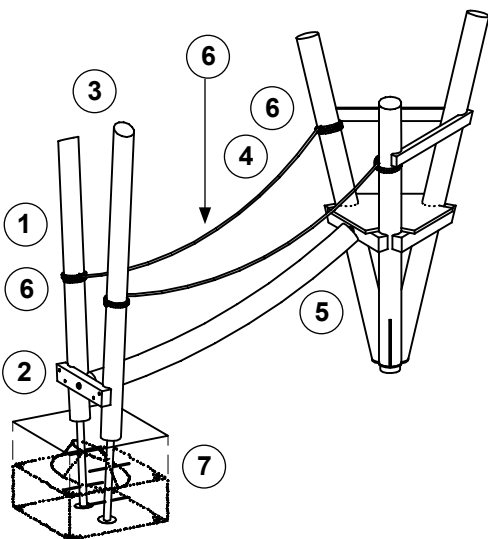
Checks depend on the type of equipment. Any equipment with moving parts must be checked at least twice a year, static equipment at least once a year.

Intervals for maintenance work and checks generally depend on

- the location
- the usage
- the frequency of use
- possible vandalism

For more details see also "General instructions for maintenance of playgrounds".

**End Frame with Rope Access with PP-Rope for Triangular Platform**  
Order No. 3.69860



## Wooden parts

1. Check for rot and, if necessary, smooth out splinters and round off sharp edges and cracks.
2. Check that all bolts and screws are tight and retighten if necessary.
3. **Recommendation:** apply paraffin wax to the upper end grain areas once a year, please refer to order No. 0.90100, 1 litre.

## Ropes

4. Check for wear and tear, especially around the staples used to attach the handrail ropes. If the steel reinforcement is damaged it is imperative it be replaced.
5. Check that rope is connected firmly to the end frame, re-tension if necessary.
6. Check that the staples holding the ropes are connected firmly.

## Important!

It should not be possible to form loops with the handrail ropes.

## Structural stability

7. In order to check the steel feet for corrosion, uncover the foundation once a year.

Repair not carried out, it is still possible to play on equipment

Repair not carried out, equipment is taken out of action

All work carried out, everything is in order

Maintenance carried out by:

..... Date .....

Special notes, e.g. for repairs