

Instructions for wear checks of play equipment

The equipment must be checked for correct operation and safety, especially the points listed below:

Proof of maintenance

Playground.....

Date of installation

Checks depend on the type of equipment. Any equipment with moving parts must be checked at least twice a year, static equipment at least once a year.

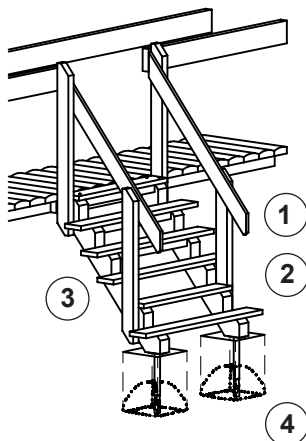
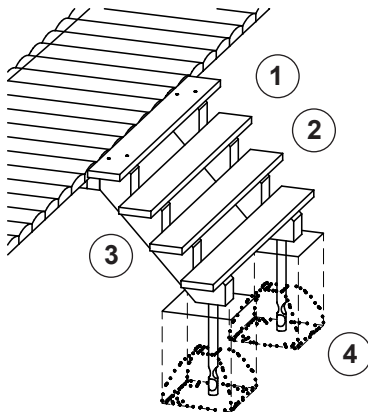
Intervals for maintenance work and checks generally depend on:

- the location
- the usage
- the frequency of use
- possible vandalism

For more details see also "General instructions for maintenance of playgrounds".

Stairs

Order No. 4.10560/4.10563/
4.10580/4.10583



Wooden parts

1. Check for rot and, if necessary, smooth out splinters and round off sharp edges of cracks.
2. Check all bolts and screws are tight and retighten if necessary.
3. Check steps for wear and tear, replace if worn heavily.

Structural stability

4. In order to check for rot at wooden parts and steel feet for corrosion, uncover the foundations once a year.

Special notes, e.g. for repairs

Repair not carried out, It is still possible to play on equipment

Repair not carried out, Equipment is taken out of action

All work carried out, everything is in order

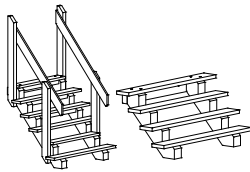
Maintenance carried out by:

..... Date

For spare parts refer to back of page!

Spare parts**Stairs**

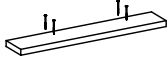
**Order No. 4.10560/4.10563
4.10580/4.10583**



Please note that the safety level must not be compromised. This is why it is advisable to use **original spare**.

Order No.	Spare part	Order No.	Spare part
99.00490	tread for narrow stairs, l = 80 cm		
99.00500	tread for wide stairs, l = 120 cm		

99.00490

tread for narrow stairs,
l = 80 cm

99.00500

tread for wide stairs,
l = 120 cm