

Instructions for wear checks of play equipment

The equipment must be checked for correct operation and safety, especially the points listed below:

Proof of maintenance

Playground

Date of installation

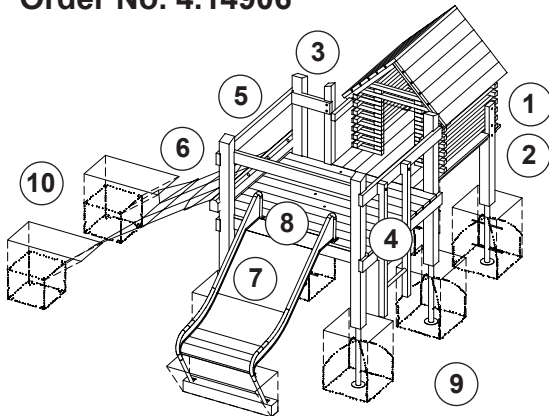
Checks depend on the type of equipment. Any equipment with moving parts must be checked at least twice a year, static equipment at least once a year.

Intervals for maintenance work and checks generally depend on

- location
- kind of use
- frequency of use
- possible vandalism

For more details see also "General instructions for maintenance of playgrounds".

Platform House
Order No. 4.14906



Wooden parts

1. Check for rot and, if necessary, smooth out splinters and round off sharp edges of cracks.
2. Check that all bolts and screws are tight and retighten if necessary.
3. Recommendation: apply paraffin wax to the upper end grain areas once a year, please refer to Order No. 0.90100, 1 litre.
4. Check the ash wood rungs of the ladder for wear and tear, the remaining diameter must be at least 30 mm.

Inclined Climbing Net

5. Check that connection points are tight and retighten if necessary.
6. Check the climbing net for wear and tear, if the steel reinforcement is damaged it is imperative it be replaced.

Slide

7. Check the slide surface for vandalism.
8. Check that all screws and bolts are tight, retighten if necessary.

Structural stability

9. In order to check for rot at wooden parts or steel feet for corrosion, uncover the foundations once a year.
10. Net: check the connection (tensioning hook) to the anchoring chain, if necessary re-tension the net at the bottom ends.

Special notes, e.g. for repairs

Repair not carried out, it is still possible to play on equipment

Repair not carried out, equipment is taken out of action

All work carried out, everything is in order

Maintenance carried out by:

..... Date