

Instructions for wear checks of play equipment

The equipment must be checked for correct operation and safety, especially the points listed below:

Proof of maintenance

Playground

Date of installation

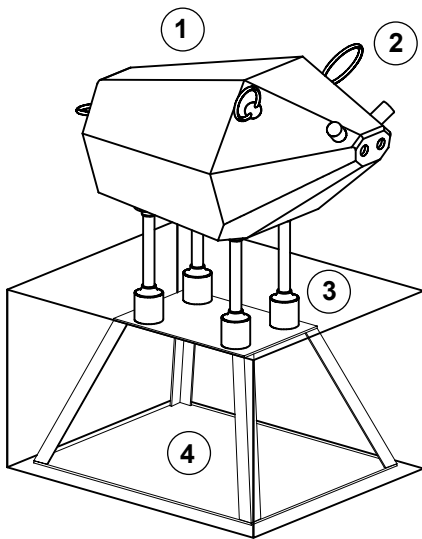
Checks depend on the type of equipment. Any equipment with moving parts must be checked at least twice a year, static equipment at least once a year.

Intervals for maintenance work and checks generally depend on

- location
- kind of use
- frequency of use
- possible vandalism

For more details see also "General instructions for maintenance of playgrounds".

Wobbly Wild Boar
Order No. 4.24273



Wooden parts

1. Check for rot and, if necessary, smooth out splinters and round off sharp edges of cracks.

Holding ropes

2. Ensure that ropes are securely connected. Replace if necessary.

Rubber buffer

3. Check for wear and tear, replace if necessary.

Structural stability

4. Examine the structural stability once a year by rocking the equipment.

Special notes, e.g. for repairs

Repair not carried out, it is still possible to play on equipment

Repair not carried out, equipment is taken out of action

All work carried out, everything is in order

Maintenance carried out by:

..... Date