

Instructions for wear checks of play equipment

The equipment must be checked for correct operation and safety, especially the points listed below:

Proof of maintenance

Playground

Date of installation

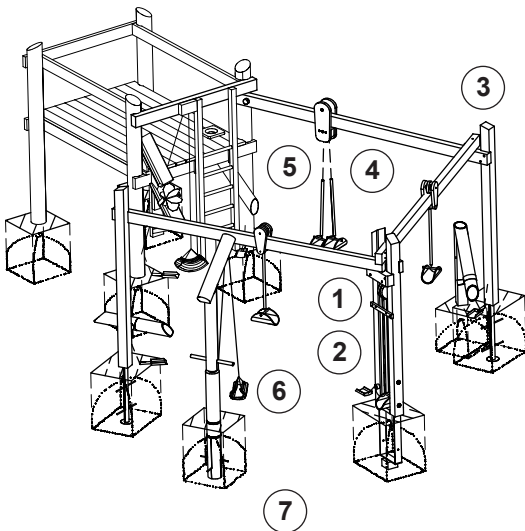
Checks depend on the type of equipment. Any equipment with moving parts must be checked at least twice a year, static equipment twice a year.

Intervals for maintenance work and checks generally depend on

- location
- kind of use
- frequency of use
- possible vandalism

For more details see also "General instructions for maintenance of playgrounds".

Sand Transport System
Type II
Order No. 5.06200



Wooden parts

1. Check for rot and, if necessary, smooth out splinters and round off sharp edges of cracks.
2. Check that all bolts/screws are tight and retighten if necessary.
3. Recommendation: apply paraffin wax to the upper end grain areas once a year, please refer to Order No. 0.90100, 1 litre.

Operation

4. Check all functional parts and retighten bolts/screws, if necessary.

Bearings and chains

5. Make sure that bearings and chains move smoothly and check for wear and tear.

Sand container

6. Check for wear and tear as well as for vandalism, replace if necessary.

Structural stability

7. In order to check for rot at wooden parts or steel feet for corrosion, uncover the foundation once a year.

Special notes, e.g. for repairs

Repair not carried out, it is still possible to play on equipment

Repair not carried out, equipment is taken out of action

All work carried out, everything is in order

Maintenance carried out by:

..... Date