

Instructions for wear checks of play equipment

The equipment must be checked for correct operation and safety, especially the points listed below:

Proof of maintenance

Playground

Date of installation

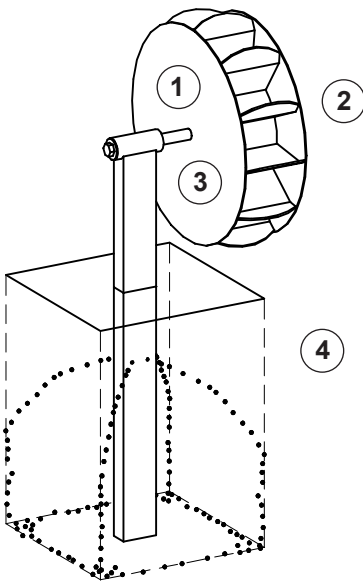
Checks depend on the type of equipment. Any equipment with moving parts must be checked at least twice a year, static equipment at least once a year.

Intervals for maintenance work and checks generally depend on

- location
- kind of use
- frequency of use
- possible vandalism

For more details see also "General instructions for maintenance of playgrounds".

Mill Wheel made of metal
Order No. 5.15820



Mill Wheel

1. Make sure that mill wheel moves smoothly, apply small amount of grease if required.
2. File down any sharp edges that may arise from wear and tear.
3. Check connection is stable.

Structural stability

4. Check the stability of the foundation once a year by rocking the equipment. Check the stand posts for corrosion.

Special notes, e.g. for repairs

Repair not carried out, it is still possible to play on equipment

Repair not carried out, equipment is taken out of action

All work carried out, everything is in order

Maintenance carried out by:

..... Date