

Instructions for wear checks of play equipment

The equipment must be checked for correct operation and safety, especially the points listed below:

Proof of maintenance

Playground.....

Date of installation

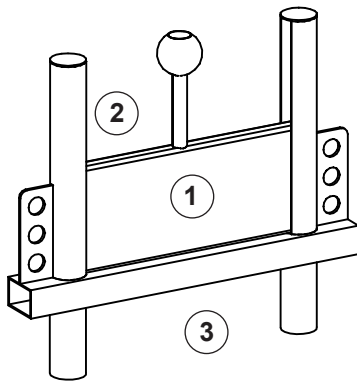
Checks depend on the type of equipment. Any equipment with moving parts must be checked at least twice a year, static equipment at least once a year.

Intervals for maintenance work and checks generally depend on

- the location
- the usage
- the frequency of use
- possible vandalism

For more details see also "General instructions for maintenance of playgrounds".

Bar Gate
Order No. 5.28031



Board

1. Check that board moves smoothly.
2. Check lip seal (all round) and remove jammed pieces (gravel or similar) if necessary.

Anchoring to the ground

3. Check that equipment is securely anchored.

Note

In order to extend the durability of the equipment, we recommend removing the equipment parts which are covered with soft plastic (PUR) for the winter.

Special notes, e.g. for repairs

Repair not carried out,
it is still possible to play on equipment

Repair not carried out,
Equipment is taken out of action

All work carried out,
everything is in order

Maintenance carried out by:

..... Date