

Instructions for wear checks of play equipment

The equipment must be checked for correct operation and safety, especially the points listed below:

Proof of maintenance

Playground

Date of installation

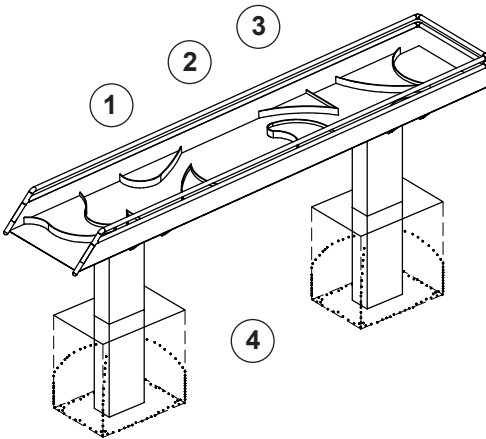
Checks depend on the type of equipment. Any equipment with moving parts must be checked at least twice a year, static equipment at least once a year.

Intervals for maintenance work and checks generally depend on

- location
- kind of use
- frequency of use
- possible vandalism

For more details see also "General instructions for maintenance of playgrounds".

Flow Table
Order No. 5.41020/5.41030



Flow obstacles

1. Check that the rubber is secure and check for damages; if necessary replace obstacles.
2. Check that chains are securely connected.
3. Check for free movement, it must be possible to move them on the railing.

Structural stability

4. In order to check the stability of the foundation, uncover the foundation once a year and, in the case where equipment is bolted-on, check that all bolts and screws are tight and retighten if necessary.

Special notes, e.g. for repairs

Repair not carried out, it is still possible to play on equipment

Repair not carried out, equipment is taken out of action

All work carried out, everything is in order

Maintenance carried out by:

..... Date