

Instructions for ear checks of play equipment

The equipment must be checked for correct operation and safety, especially the points listed below:

Proof of maintenance

Playground

Date of installation

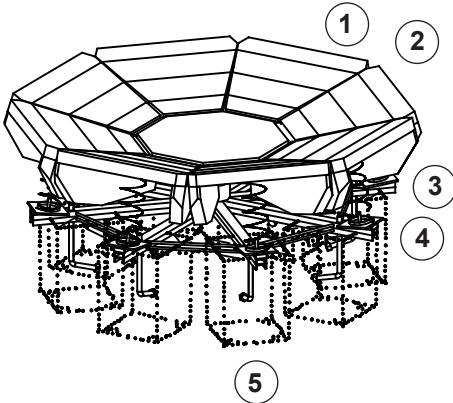
Checks depend on the type of equipment. Any equipment with moving parts must be checked at least twice a year, static equipment at least once a year.

Intervals for maintenance work and checks generally depend on

- location
- kind of use
- frequency of use
- possible vandalism

For more details see also "General instructions for maintenance of playgrounds".

Bouncing Flower
Order No. 6.06500



Wooden parts

1. Check for rot and, if necessary, smooth splinters and round off sharp edges and cracks.
2. Check that all bolts and screws are tight and retighten if necessary.

Compression springs

3. Make sure that compression springs are tight, check for wear and tear, if necessary retighten screws/bolts or replace.

Bearings

4. Check for wear and tear.

Structural stability

5. In order to check the stability of the foundation, uncover the foundation once a year.

Special notes, e.g. for repairs

Repair not carried out, it is still possible to play on equipment

Repair not carried out, equipment is taken out of action

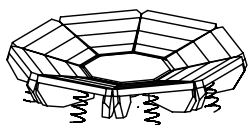
All work carried out, everything is in order

Maintenance carried out by:

For spare parts refer to back of page.

..... Date

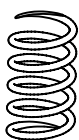
**Spare Parts
Bouncing Flower
Order No. 6.06500**



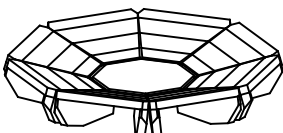
Please note that the safety standards of the equipment must not be affected. Therefore, when carrying out repairs it is helpful to **only use original parts**.

Order No. Spare part

0.92450 compression spring



99.01310 set of segments = 8 segments



99.01309 segment = 1 item

