

Instructions for wear checks of play equipment

The equipment must be checked for correct operation and safety, especially the points listed below:

Proof of maintenance

Playground.....

Date of installation

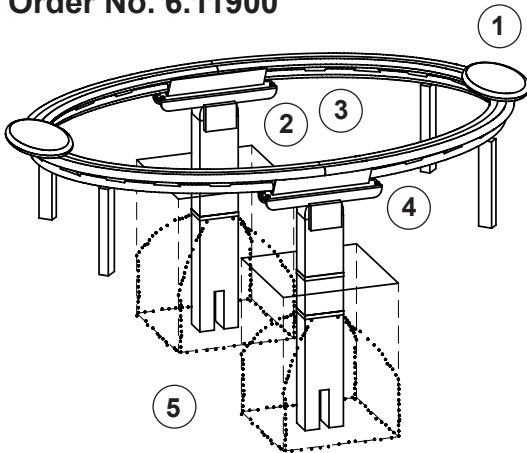
Checks depend on the type of equipment. Any equipment with moving parts must be checked at least twice a year, static equipment at least once a year.

Intervals for maintenance work and checks generally depend on

- the location
- the usage
- the frequency of use
- possible vandalism

For more details see also "General instructions for maintenance of playgrounds".

Circular see-saw
Order No. 6.11900



Wooden parts

1. Ensure that seats are securely fastened and check for rot and if necessary, smooth out splinters and round off sharp edges of cracks.

Rocking mechanism

2. Check that all bolts and screws are tight and retighten if necessary.
3. Check brass bushes for wear and tear, replace if necessary.
4. Check spring effect of up-and-down movement; the beam must stop smoothly.

Structural stability

5. In order to check the stability of the foundation or for corrosion, uncover the foundations once a year.

Special notes, e.g. for repairs

Repair not carried out, it is still possible to play on equipment

Repair not carried out, Equipment is taken out of action

All work carried out, everything is in order

Maintenance carried out by:

..... Date