

# Instructions for wear checks of play equipment

The equipment must be checked for correct operation and safety, especially the points listed below:

Proof of maintenance

Playground.....

Date of installation .....

Checks depend on the type of equipment. Any equipment with moving parts must be checked at least twice a year, static equipment at least once a year.

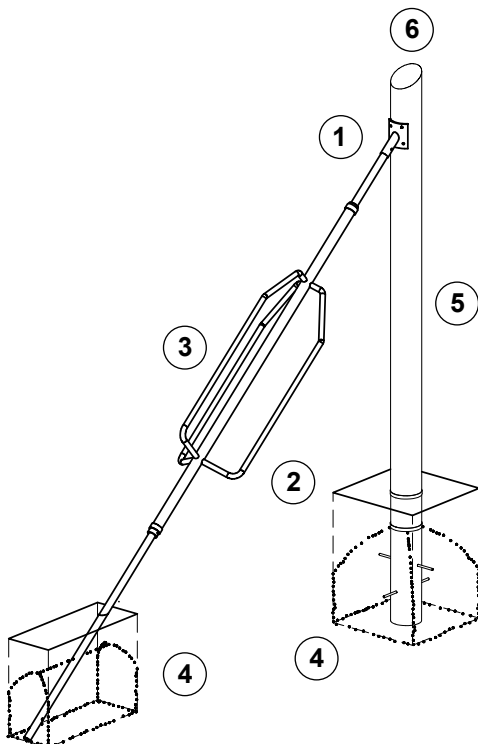
Intervals for maintenance work and checks generally depend on

- the location
- the usage
- the frequency of use
- possible vandalism

For more details see also "General instructions for maintenance of playgrounds".

**Whisk for attachment**  
Order No. 6.27600/6.27610

**Support Post for Whisk**  
Order No. L6.45210/6.45210



## Bolts and screws

1. Check that bolts and screws of main equipment or of the stand post are tight and retighten if necessary.

## Operation

2. Check that equipment rotates smoothly (brass bushes)

## Material

3. Check welded seams for stability (cracks). If required have welding repairs carried out by a qualified person and sand down.

## Structural stability

4. In order to check for rot at wooden parts or steel stand post for corrosion, uncover the foundation once a year.

## Wooden parts

5. Check for rot and, if necessary, smooth out splinters and round off sharp edges of cracks.
6. **Recommendation:** apply paraffin wax to the upper end grain areas once a year; please refer to order No. 0.90100, 1 litre.







Repair not carried out, it is still possible to play on equipment

Repair not carried out, equipment is taken out of action

All work carried out, everything is in order

Maintenance carried out by:

..... Date .....

Special notes, e.g. for repairs