

Instructions for wear checks of play equipment

The equipment must be checked for correct operation and safety, especially the points listed below:

Proof of maintenance

Playground

Date of installation

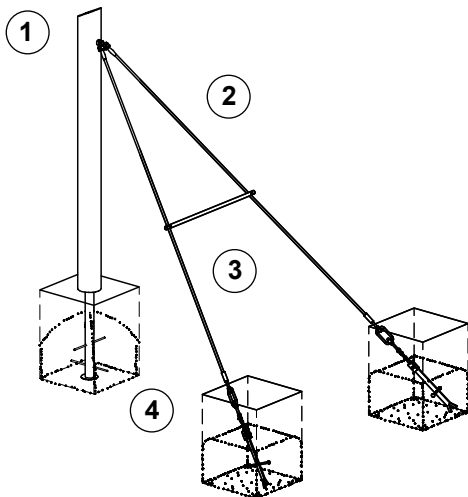
Checks depend on the type of equipment. Any equipment with moving parts must be checked at least twice a year, static equipment at least once a year.

Intervals for maintenance work and checks generally depend on

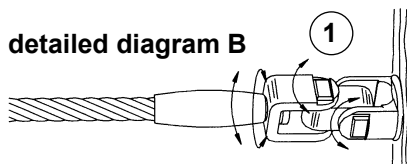
- location
- kind of use
- frequency of use
- possible vandalism

For more details see also "General instructions for maintenance of playgrounds".

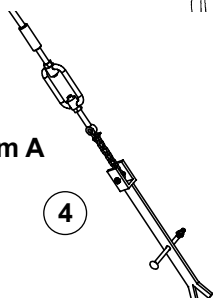
Rope Bar for attachment
Order No. 6.45100
Support post for rope bar
Order No. L6.45110



detailed diagram B



detailed diagram A



Bolt connections

1. Check at the stand post and/or the base equipment for firmness. The ropes must be taut – retighten if necessary (**see detailed diagram B**) shorten the chain if necessary.

Ropes

2. Check the ropes for wear, if the steel core is damaged renew the ropes.

Horizontal Bar

3. Check for firmness.

Structural stability

4. In order to check for stability, uncover the foundation once a year an check for corrosion. The ropes must be taut, shorten if necessary (**see detailed diagram A**).

Repair not carried out, it is still possible to play on equipment

Repair not carried out, equipment is taken out of action

All work carried out, everything is in order

Maintenance carried out by:

..... Date

Special notes, e.g. for repairs