

Instructions for wear checks of play equipment

The equipment must be checked for correct operation and safety, especially the points listed below:

Proof of maintenance

Playground

Date of installation

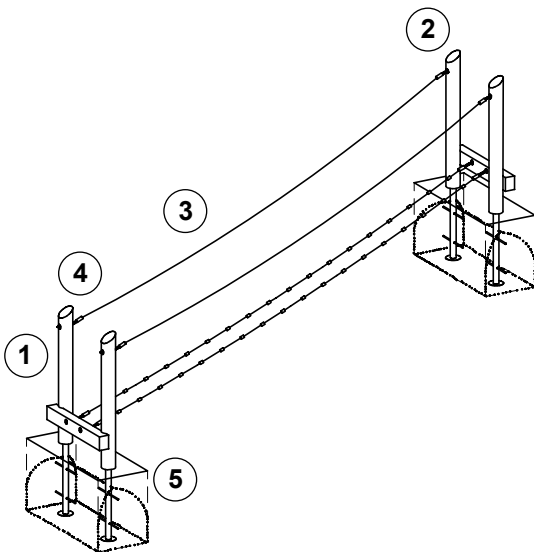
Checks depend on the type of equipment. Any equipment with moving parts must be checked at least twice a year, static equipment at least once a year.

Intervals for maintenance work and checks generally depend on

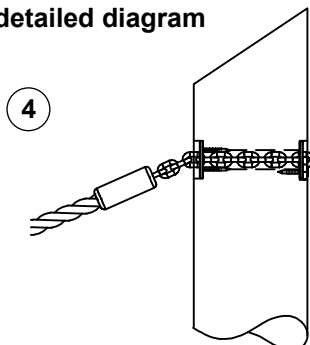
- location
- kind of use
- frequency of use
- possible vandalism

For more details see also "General instructions for maintenance of playgrounds".

Climbing Ropes
basic element
Order No. L6.51820



detailed diagram



Wooden parts

1. Check for rot and, if necessary, smooth out splinters and round off sharp edges of cracks.
2. **Recommendation:** apply paraffin wax to the upper end grain areas once a year, please refer to Order No. 0.90100, 1 litre.

Ropes

3. Check ropes for wear and tear, if the steel reinforcement is damaged it is imperative it be replaced.
4. Check chain connections and swages are tight (see detailed diagram).

Structural stability

5. In order to check for rot at wooden parts or steel feet for corrosion, uncover the foundations once a year.

Special notes, e.g. for repairs

Repair not carried out, it is still possible to play on equipment

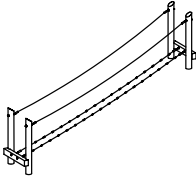
Repair not carried out, equipment is taken out of action

All work carried out, everything is in order

Maintenance carried out by:

For spare parts refer to back of page.

..... Date

<p>Spare parts Climbing Ropes basic element Order No. L6.51820</p> 	<p>Please note that the safety standards of the equipment must not be affected. Therefore, when carrying out repairs it is helpful to only use original parts.</p>
<p>Order No. Spare part</p>	
<p>0.92187 Holding rope with chain attachment</p> <p>0.92188 Running rope with chain attachment</p> <p>0.99405 Disc for chain suspension</p>	