

Instructions for wear checks of play equipment

The equipment must be checked for correct operation and safety, especially the points listed below:

Proof of maintenance

Playground.....

Date of installation

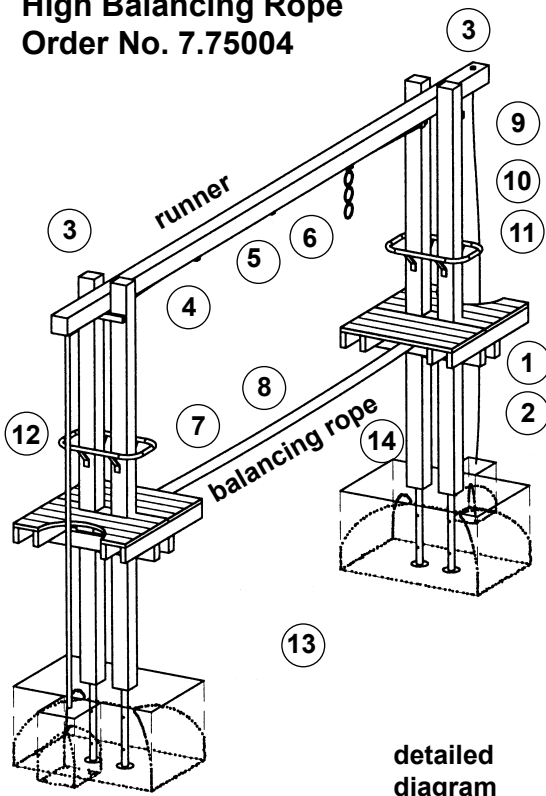
Checks depend on the type of equipment. Any equipment with moving parts must be checked at least twice a year, static equipment at least once a year.

Intervals for maintenance work and checks generally depend on

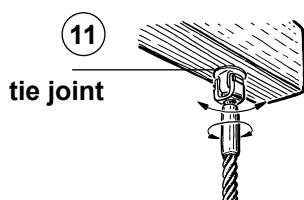
- the location
- the usage
- the frequency of use
- possible vandalism

For more details see also "General instructions for maintenance of playgrounds".

High Balancing Rope Order No. 7.75004



detailed diagram



Wooden parts

1. Check for rot and, if necessary, smooth out splinters and round off sharp edges of cracks.
2. Check that all bolts and screws are tight and retighten if necessary.
3. **Recommendation:** apply paraffin wax to the upper end grain areas once a year, please refer to order No. 0.90100, 1 litre.

Runner

4. Check for stability.
5. Check that travelling crab moves smoothly.
6. Ensure that ring suspension gear is securely connected and check for wear and tear. Replace if necessary.

Balancing rope

7. Check that rope is securely connected, retighten if necessary.
8. Check for wear and tear as well as for damage, replace if necessary.

Climbing rope

9. Check for wear and tear, if the steel reinforcement is damaged it is imperative it be replaced.
10. Make sure that joint and swivel move smoothly, apply grease if required.
11. Check connection to wood, tie joint must fit closely (see detailed diagram).

Firemen's pole/grip rings

12. Check stability, retighten screws/bolts if necessary

Structural stability

13. In order to check the posts for rot or the steel feet for corrosion, uncover the foundations once a year.
14. Check anchoring of the climbing rope to the ground.

Special notes, e.g. for repairs

Repair not carried out, it is still possible to play on equipment

Repair not carried out, equipment is taken out of action

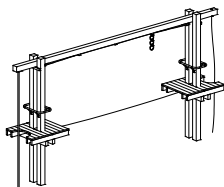
All work carried out, everything is in order

Maintenance carried out by:

For spare parts refer to back of page.

..... Date

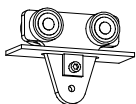
**Spare Parts
High Balancing Rope
Order No. 7.75004**



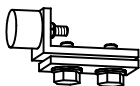
Please note that the safety standards of the equipment must not be affected. Therefore, when carrying out repairs it is helpful to **only use original parts.**

Order No. Spare part

0.94810 travelling crab



0.97220 stopper



0.94800 ring suspension gear

