

Instructions for wear checks of play equipment

The equipment must be checked for correct operation and safety, especially the points listed below:

Proof of maintenance

Playground

Date of installation

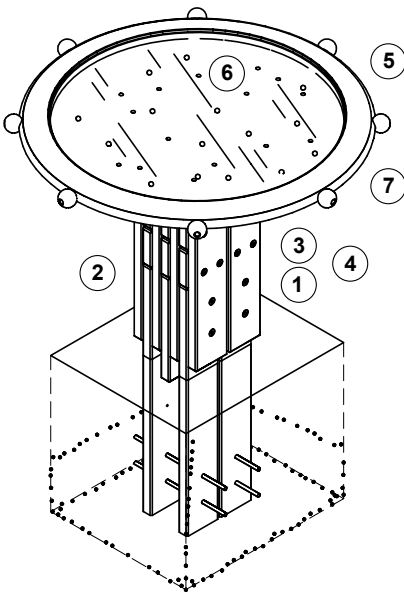
Checks depend on the type of equipment. Any equipment with moving parts must be checked at least twice a year, static equipment at least once a year.

Intervals for maintenance work and checks generally depend on

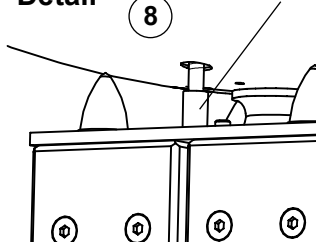
- location
- kind of use
- frequency of use
- possible vandalism

For more details see also "General instructions for maintenance of playgrounds".

Marbles Table Order No. 9.15400



Detail anti-rotation device



Structural stability

1. Uncover the foundation once a year in order to check that the equipment is properly anchored to the ground.

Wooden parts

2. Check for rot and, if necessary, smooth out splinters and round off sharp edges and cracks.
3. Check all bolts and screws are tight and retighten if necessary.
4. Recommendation: apply wood preservative wax (www.complex-farben.eu) once a year.

Stainless steel

5. Clean with stainless steel spray (www.kim-tec.de) using a clean cloth.

Glass

6. Clean with glass cleaner using a clean cloth if necessary.
7. Check the seal between the glass and frame for leakages.

Details

8. Check the anti-rotation device under the table for correct seating and function.

Special notes, e.g. for repairs

Repair not carried out, it is still possible to play on equipment

Repair not carried out, equipment is taken out of action

All work carried out, everything is in order

Maintenance carried out by:

..... Date