

Instructions for wear checks of play equipment

The equipment must be checked for correct operation and safety, especially the points listed below:

Proof of maintenance

Playground.....

Date of installation

Checks depend on the type of equipment. Any equipment with moving parts must be checked at least twice a year, static equipment at least once a year.

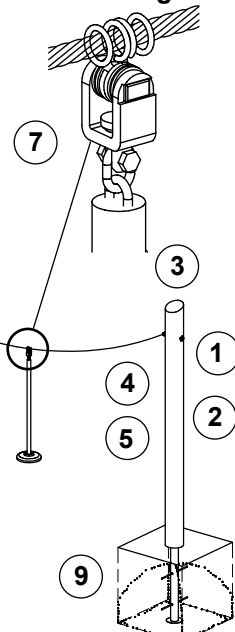
Intervals for maintenance work and checks generally depend on

- the location
- the usage
- the frequency of use
- possible vandalism

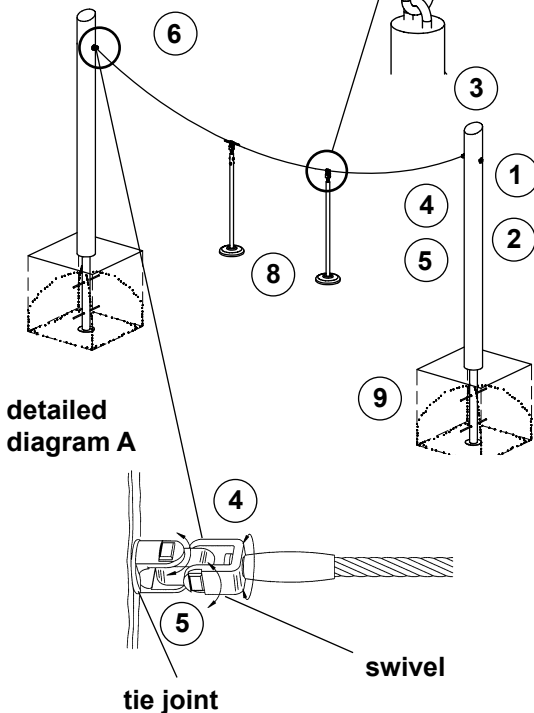
For more details see also "General instructions for maintenance of playgrounds".

Twin Pendulum Order No. L6.42000

detailed diagram B



detailed diagram A



Wooden parts

1. Check for rot and, if necessary, smooth out splinters and round off sharp edges of cracks.
2. Check that all bolts and screws are tight and retighten if necessary.
3. **Recommendation:** apply paraffin wax to the upper end grain areas once a year, please refer to Order No. 0.90100, 1 litre.

Joints

4. Make sure that the swivels move smoothly, apply grease if required (**see detailed diagram A**).
5. Check connection to wood, tie joint must fit closely (**see detailed diagram**).

Rope

6. Check for wear and tear. Replace if steel reinforcement is damaged.

Pendulum seat suspension

7. Check that joint can move smoothly in both directions (**see detailed diagram B**).
8. Replace pendulum seats if metal parts are exposed.

Structural stability

9. In order to check for rot at wooden parts or steel feet for corrosion, uncover the foundations once a year.

Repair not carried out, it is still possible to play on equipment

Repair not carried out, equipment is taken out of action

All work carried out, everything is in order

Maintenance carried out by:

..... Date

Special notes, e.g. for repairs