

# Instructions for wear checks of play equipment

The equipment must be checked for correct operation and safety, especially the points listed below:

Proof of maintenance

Playground .....

Date of installation .....

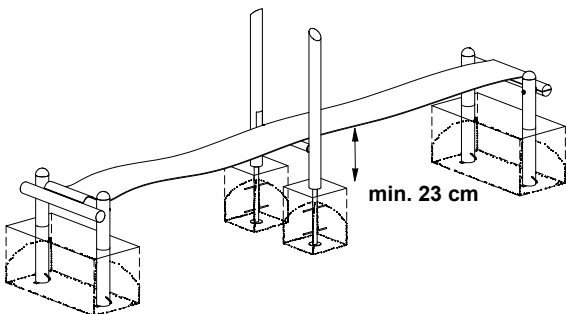
Checks depend on the type of equipment. Any equipment with moving parts must be checked at least twice a year, static equipment at least once a year.

Intervals for maintenance work and checks generally depend on

- location
- kind of use
- frequency of use
- possible vandalism

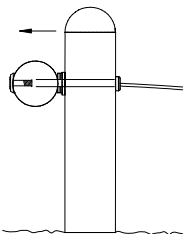
For more details see also "General instructions for maintenance of playgrounds".

## Belt Path Order No. L6.64710



If the slack appears to be different from one side to the other you may insert washers Ø 68 mm (**detailed diagram A**) between the stand posts and the cross beams on the side with the most slack.

### detailed diagram A



### Wooden parts

1. Check for rot and, if necessary, smooth splinters and sharp edges for cracks.
2. Check that all bolts/screws are tight and retighten if necessary.
3. Recommendation: apply paraffin wax to the upper end grain areas once a year, please refer to Order No. 0.90100, 1 litre.

### Bearing

4. Check that bearing in the middle frame moves freely, apply grease if required.

### Rubber belt

5. Check for damages and replace if necessary.
6. **Safety check:** when the belt is loaded on both sides, the clearance to the ground must be at least 23 cm.  
**Adjustment of middle frame:** loosen the bolts, push bearing and axle upwards, and refasten.

### Structural stability

7. In order to check for rot at the wooden parts or steel feet for corrosion, uncover the foundations once a year.








Repair not carried out, it is still possible to play on equipment

Repair not carried out, equipment is taken out of action

All work carried out, everything is in order

Maintenance carried out by:

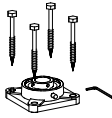

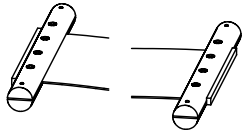
..... Date .....

Special notes, e.g. for repairs

For spare parts refer to back of page.

**Spare Parts**  
**Belt Path**  
**Order No. L6.64710**

Please note that the safety standards of the equipment must not be affected. Therefore, when carrying out repairs it is helpful to **only use original parts**.

Order No. Spare part	Order No. Spare part
<p><b>0.92280</b>     <b>ball bearing</b></p>  <p><b>0.92890</b>     <b>roller without bearing</b></p>  <p><b>0.92911</b>     <b>belt tape, 8 m long with cross beams</b></p> <p style="text-align: center;"><b>Please specify longitudinal distance between the outer edges of the stand posts.</b></p>  <p><b>0.92915</b>     <b>repair set for belt tape</b></p>	<p><b>99.00541</b>     <b>cross beam, cut into halves, pre-drilled, with liner and wood screws, incl. bolts</b></p> 